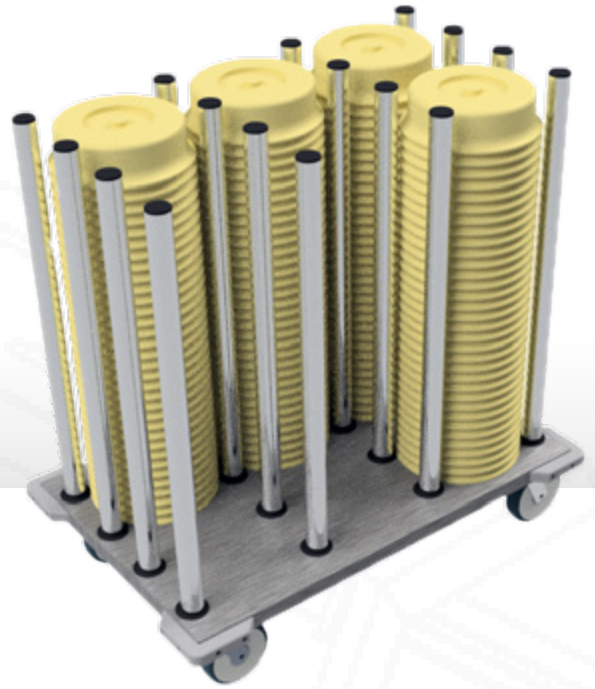


Overview

Mobile plate cover trolley designed to store 9" (230mm) type plate covers. The maximum diameter of cover is 240mm. Six stacks holding approximately 250 covers depending on type. A compact all stainless steel welded heavy duty construction. Ideal for volume storage, selection or transport of covers from wash area to plating up station. Complete with four 125 mm all swivel castors two of which have brakes.



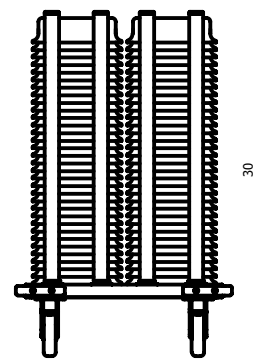
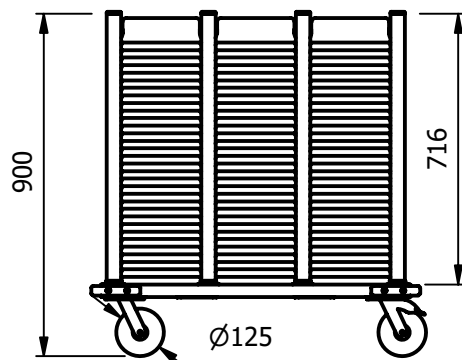
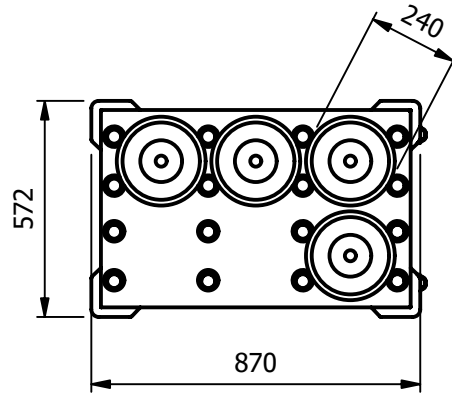
Key Features:

- All stainless steel welded heavy duty construction
- Capacity approximately 250 covers depending on type, profile and thickness.
- Four 125 mm all swivel castors two of which are braked.





Model	Weight (kg)	L x W x H (mm)
VPCT	28	870 x 572 x 900



E&R Moffat Ltd.
Bonnybridge
FK4 2BS
Scotland

Find us on:



www.ermoffat.co.uk
+44 (0) 1324 812272
sales@ermoffat.co.uk