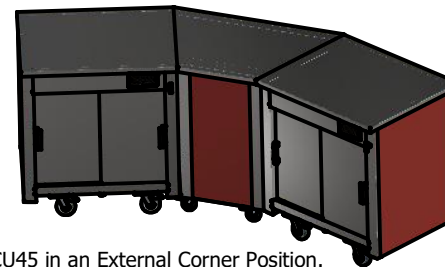
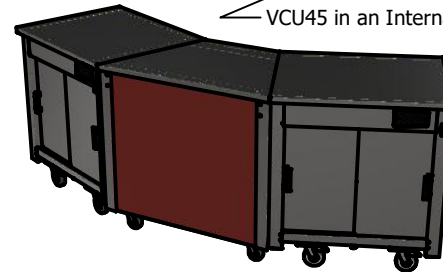
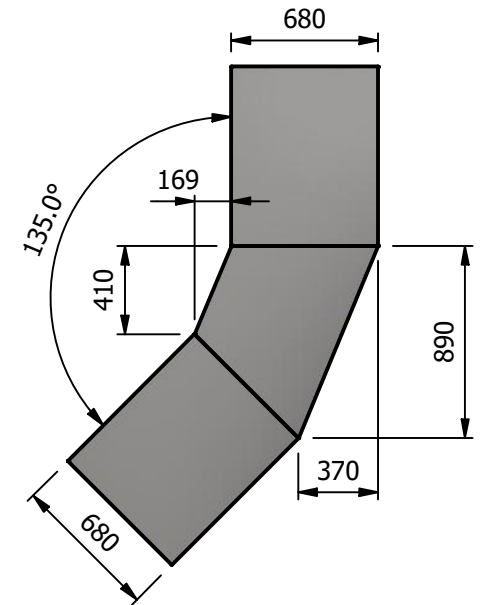
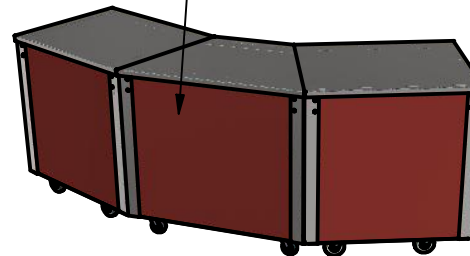


VCU45 in an Internal Corner Position.



VCU45 in an External Corner Position.
Note:- Optional Tray slide or Tray Rail can be fitted on the customers side.



NOTE:- Serving height for children up to 12 years of age. This model is available with a work top height of 800mm Trayslide height of 773mm. Please add "B" to the end of the product code.

Moffat Specification

Solid Stainless Steel Worktop provides a clean serving area.

Dimensions

Width - 963mm
Depth - 628mm [680]
Height - 900mm
Weight - 70kg

Materials

1.2mm 304 Grade St/ Steel Top & Supports
0.7mm 430 Grade St/ Steel Internal Structure
GN 1/1 Grid Shelves with 30mm x 30mm tube supports

Installation

All swivel castors, two braked

ALL SHEET METAL DIMENSIONS ARE I/S (INSIDE SIZES) (UNLESS OTHERWISE STATED)

ALL DIMENSIONS IN (mm), TOLERANCE = LINEAR ± 0.5mm, ANGULAR ± 0.5mm (OR AS STATED). ALL SHARP EDGES TO BE REMOVED FROM SHEET METAL PARTS

Product	VERSICARTE			Product No	N/A		
Description	*** VCCU45 ***			<small>© No reproduction or publication of this drawing may be made, and no article may be manufactured or assembled in accordance with this drawing without prior written consent. This prohibition is a term of any contract relating to this drawing. Rights reserved under the Copyright Act 1956 as amended by the Design Copyright Act 1968.</small>			
Material/Finish	Thickness			Desp/Date			
Legacy P/N	Weight	70kg		Quote No.	Dwg No. VCP-065428 Issue		
Client				SO Number	STANDARD		Drawn By ABB
Client Project				Approved By			Date 18/02/2020
E & R MOFFAT LTD, SEABEGS ROAD, BONNYBRIDGE, FK4 2BS, T: +44 (0)1324 812272, E: sales@ermoffat.co.uk, Web: www.ermoffat.co.uk				Scale	1 : 20	Sheet	1 / 1 A4

