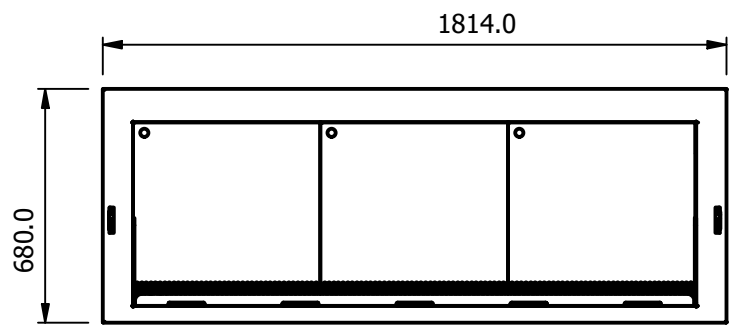
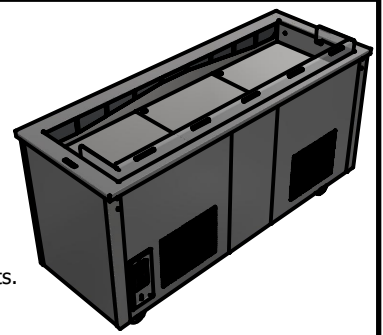


Square Glass Closed Front Square Glass Open Front

Important Design Parameters
 Allowances must be made for air venting.
 The under slung compressor must have an unrestricted air flow.
 Proper venting must be provided ensuring cool air from the room can be drawn in through the condensing coil and out the other side.

Warning
 Do not install unit in draughty conditions where the air movement is greater than 0.2mtr/sec.
 e.g. near entrance/exit doors, open windows, under air conditioning units or a ceiling mounted fan
 Do not install units where there is high radiated heat, e.g. direct sunlight, room heaters, or bright spot lights.
 Ambient room conditions must not exceed 25°C or a relative humidity of 60%.
 Blocked vents will cause reduced refrigeration efficiency and lead to malfunction



NOTE:- Serving height for children up to 12 years of age.
 This model is available with a work top height of 800mm and a Trayslide height of 773mm.
 Please add "B" to the end of the product code.

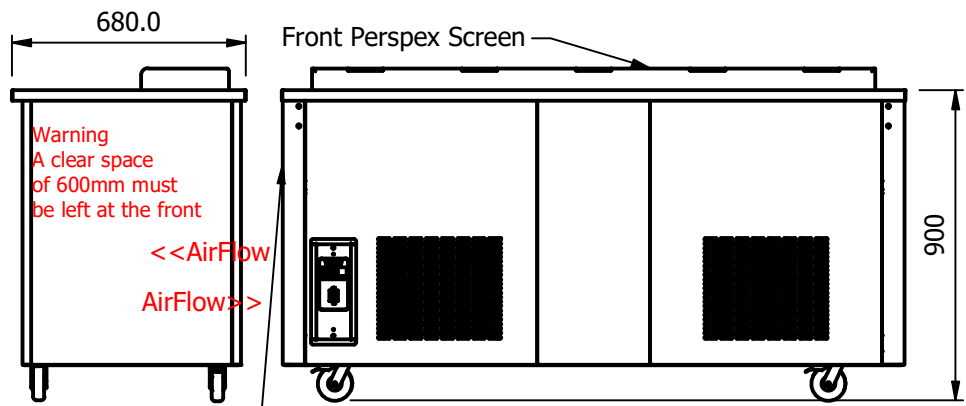
Moffat Specification

Dimensions
 Width - 1486mm
 Depth - 680mm
 Height - 900mm
 Weight - 185kg
 Well - 1640mm x 535mm x 130mm

Power Rating
 1.5kw
 complete with a 2m long cord set & 13amp plug

Materials
 0.7mm 430 Grade St/Steel Gantry Hood
 1.2mm 304 Grade St/ Steel Top & Supports
 1.2mm 430 Grade St Steel Ancillary Parts
 6mm Tempered Glass
 LED Illumination

Installation
 All swivel castors, two braked



Warning
 A clear space
 of 600mm must
 be left at the front
 <<AirFlow
 AirFlow>>

POWER CABLE
 ENTRY POINT ON REAR

ALL SHEET METAL DIMENSIONS ARE I/S (INSIDE SIZES) (UNLESS OTHERWISE STATED) ALL DIMENSIONS IN (mm), TOLERANCE = LINEAR ± 0.5mm, ANGULAR ± 0.5mm (OR AS STATED). ALL SHARP EDGES TO BE REMOVED FROM SHEET METAL PARTS

Product	VERSICARTE			Product No					
Description	*** VC5RWFC *** SQUARE GLASS								
Material/Finish	Thickness			Desp/Date					
Legacy P/N	Weight	185kg		Quote No.					
Client				SO Number	STANDARD		Dwg No.	VCP-083247	Issue
Client Project				Approved By			Drawn By	ABB	-
							Date	05/07/2023	

No reproduction or publication of this drawing may be made, and no article may be manufactured or assembled in accordance with this drawing without prior written consent. This prohibition is a term of any contract relating to this drawing. Rights reserved under the Copyright Act 1956 as amended by the Design Copyright Act 1968.

