

NOTE:- Serving height for children up to 12 years of age.
 This model is available with a work top height of 800mm
 and a Trayslide height of 773mm.
 Please add "B" to the end of the product code.

Moffat Specification

Neo-Ceram glass hot Top

The Stainless steel top inset with Neo Ceram glass panels provides a clean hot serving area.

Dry Heat

Fan Assisted Hotcupboard

Dimensions

Width - 1814mm
 Depth - 680mm
 Height - 900mm
 Weight - 137kg



Sahara Fan Model SF309

Area of hot top

1645mm x 537mm

Capacity of Hot Cupboard [usable inside space]

Width - 1679mm
 Depth - 555mm
 Usable Height Bottom shelf - 204mm
 Usable Height Top Shelf - 245mm

60 covers & meals

[10" plated meals stacked using plate covers]

or

228 off 10" plates stacked for heating

or

10 off 1/1GN pans side by side

150mm deep 5 on top 5 on bottom

Power Rating

1.80kw with no gantry, 2.68Kw with heated gantry.

complete with a 2m long cord set & 13amp plug

Removable Fan heating System Sahara Fan Model SF309

Materials

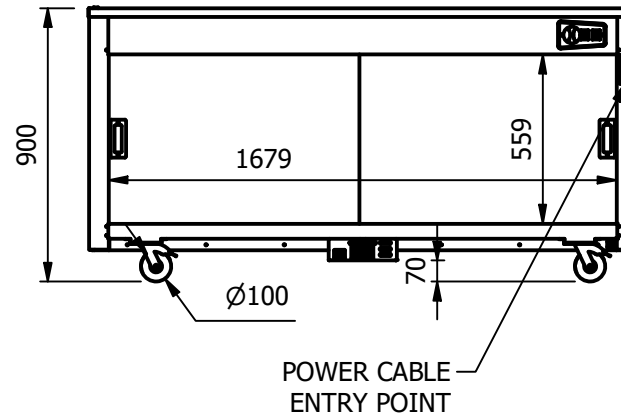
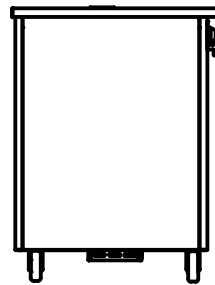
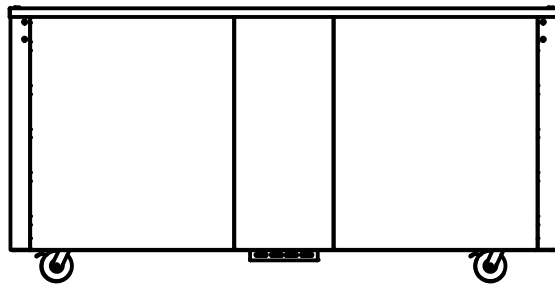
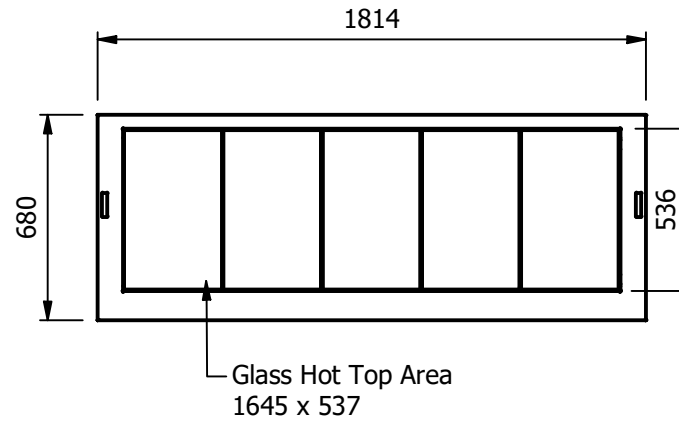
1.2mm 304 Grade St/ Steel Top & Supports

0.7mm 430 Grade St/ Steel Internal Structure

GN 1/1 Grid Shelves with 30mm x 30mm tube supports


Installation

All swivel castors, two braked



ALL SHEET METAL DIMENSIONS ARE I/S (INSIDE SIZES) (UNLESS OTHERWISE STATED)

ALL DIMENSIONS IN (mm), TOLERANCE = LINEAR ± 0.5mm, ANGULAR ± 0.5mm (OR AS STATED). ALL SHARP EDGES TO BE REMOVED FROM SHEET METAL PARTS

Product	VERSICARTE			Product No	N/A			 The Catering Equipment Company
Description	*** VCSHT ***							
Material/Finish	Thickness			Desp/Date				
Legacy P/N	Weight	137kg		Quote No.				
Client				SO Number	STANDARD			
Client Project				Approved By				
E & R MOFFAT LTD, SEABEGS ROAD, BONNYBRIDGE, FK4 2BS, T: +44 (0)1324 812272, E: sales@ermoffat.co.uk, Web: www.ermoffat.co.uk				Dwg No.	VCP-072670		Issue	
				Drawn By	ABB		-	
				Date	04/07/2023			
				Scale	1 : 25	Sheet	1 / 1 A4	

No reproduction or publication of this drawing may be made, and no article may be manufactured or assembled in accordance with this drawing without prior written consent. This prohibition is a term of any contract relating to this drawing. Rights reserved under the Copyright Act 1956 as amended by the Design Copyright Act 1968.