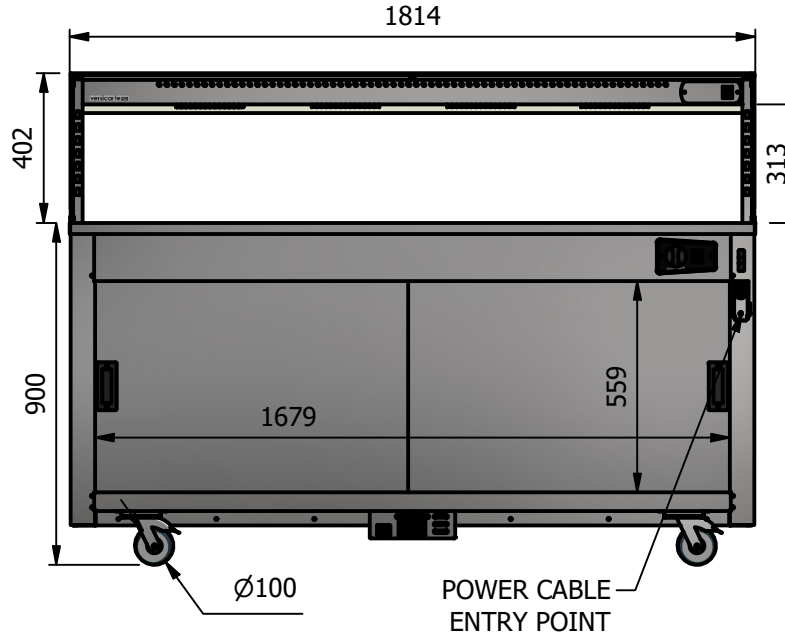


NOTE:- Serving height for children up to 12 years of age. This model is available with a work top height of 800mm and a Trayslide height of 773mm. Please add "B" to the end of the product code.



Glass Hot Top Area  
1645 x 537



**Moffat Specification**

Neo-Ceram glass hot Top  
The Stainless steel top inset with Neo Ceram glass panels provides a clean hot serving area.

Dry Heat  
Fan Assisted Hotcupboard

Dimensions  
Width - 1814mm  
Depth - 680mm  
Height - 900mm  
Weight - 137kg



Sahara Fan Model SF309

Area of hot top  
1645mm x 537mm

Capacity of Hot Cupboard [usable inside space]  
Width - 1679mm  
Depth - 555mm  
Usable Height Bottom shelf - 204mm  
Usable Height Top Shelf - 245mm

60 covers & meals  
[10" plated meals stacked using plate covers]  
or  
228 off 10" plates stacked for heating  
or  
10 off 1/1GN pans side by side  
150mm deep 5 on top 5 on bottom

Power Rating  
1.80kw with no gantry, 2.68Kw with heated gantry.  
complete with a 2m long cord set & 13amp plug  
Removable Fan heating System Sahara Fan Model SF309

Materials  
1.2mm 304 Grade St/ Steel Top & Supports  
0.7mm 430 Grade St/ Steel Internal Structure  
GN 1/1 Grid Shelves with 30mm x 30mm tube supports

Installation  
All swivel castors, two braked

ALL SHEET METAL DIMENSIONS ARE I/S (INSIDE SIZES) (UNLESS OTHERWISE STATED)

ALL DIMENSIONS IN (mm), TOLERANCE = LINEAR ± 0.5mm, ANGULAR ± 0.5mm (OR AS STATED). ALL SHARP EDGES TO BE REMOVED FROM SHEET METAL PARTS

Product	VERSICARTE			Product No	N/A						
Description	*** VC5HTSL *** Square Glass Options										
Material/Finish	Thickness		Desp/Date				<p>The Catering Equipment Company</p>				
Legacy P/N	Weight	137kg	Quote No.								
Client			SO Number	STANDARD			Dwg No.	VCP-065981	Issue		
Client Project			Approved By				Drawn By	ABB	-		
							Date	04/07/2023			
E & R MOFFAT LTD, SEABEGS ROAD, BONNYBRIDGE, FK4 2BS, T: +44 (0)1324 812272, E: sales@ermoffat.co.uk, Web: www.ermoffat.co.uk							Scale	1 : 20	Sheet	1 / 2	<b>A4</b>

No reproduction or publication of this drawing may be made, and no article may be manufactured or assembled in accordance with this drawing without prior written consent. This prohibition is a term of any contract relating to this drawing. Rights reserved under the Copyright Act 1956 as amended by the Design Copyright Act 1968.