

NOTE:- Serving height for children up to 12 years of age.
 This model is available with a work top height of 800mm
 Trayslide height of 773mm.
 Please add "B" to the end of the product code.

Moffat Specification

Solid Stainless Steel Worktop
 Insulated for efficiency
 provides a clean serving area.

- Dry Heat
 Fan Assisted Hotcupboard

- Dimensions
 Width - 1814mm
 Depth - 680mm
 Height - 900mm
 Weight - 85kg

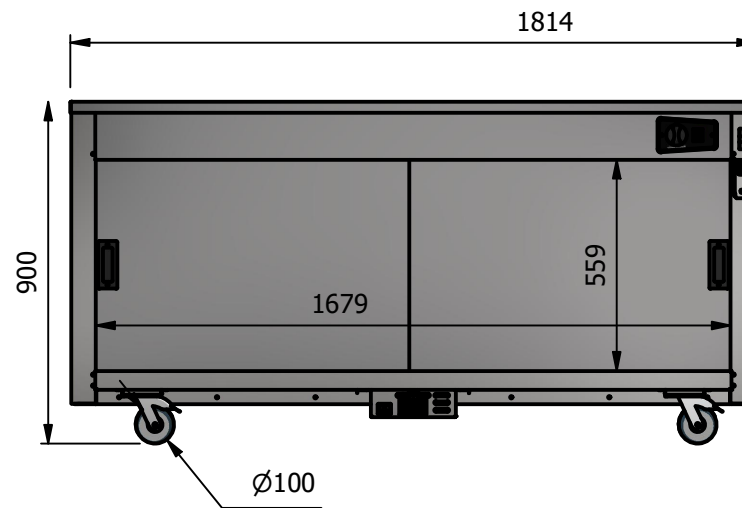
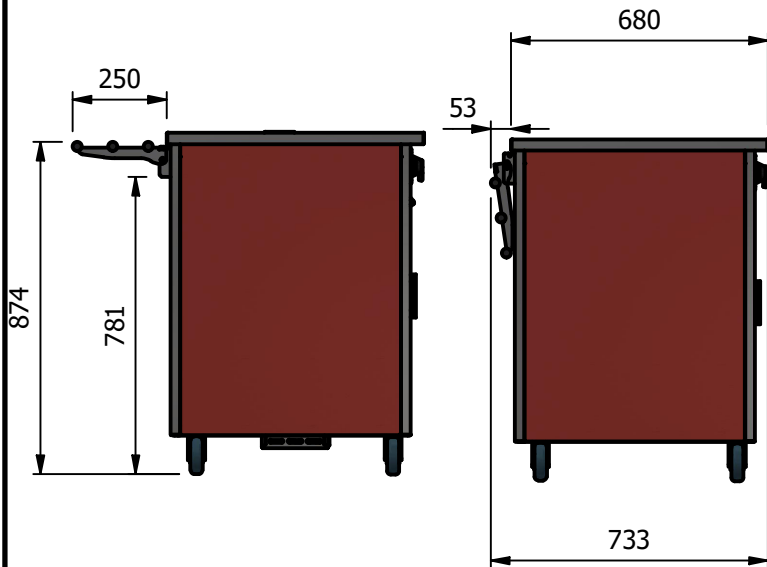
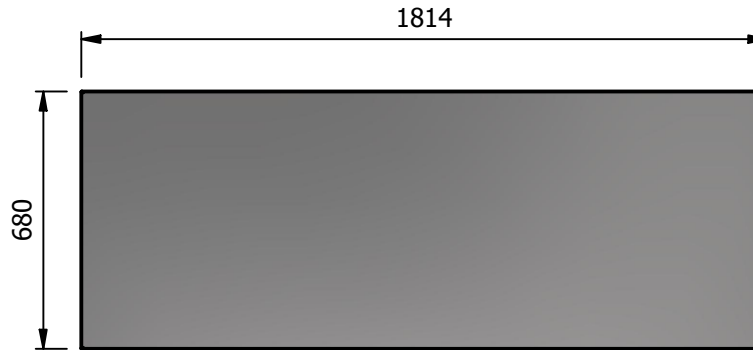
Capacity of Hot Cupboard [usable inside space]
 Width - 1679mm
 Depth - 555mm
 Usable Height Bottom shelf - 204mm
 Usable Height Top Shelf - 245mm

60 covers & meals
 [10" plated meals stacked using plate covers]
 or
 228 off 10" plates stacked for heating
 or
 10 off 1/1GN pans side by side
 150mm deep 5 on top 5 on bottom

- Power Rating
 1.9kw.
 complete with a 2m long cord set & 13amp plug
 Removable Fan heating System Sahara Fan Model SF319

- Materials
 1.2mm 304 Grade St/ Steel Top & Supports
 0.7mm 430 Grade St/ Steel Internal Structure
 GN 1/1 Grid Shelves with 30mm x 30mm tube supports

- Installation
 All swivel castors, two braked



POWER CABLE
 ENTRY POINT

ALL SHEET METAL DIMENSIONS ARE I/S (INSIDE SIZES) (UNLESS OTHERWISE STATED)

ALL DIMENSIONS IN (mm), TOLERANCE = LINEAR ± 0.5mm, ANGULAR ± 0.5mm (OR AS STATED). ALL SHARP EDGES TO BE REMOVED FROM SHEET METAL PARTS

Product	VERSICARTE			Product No	N/A			<small>No reproduction or publication of this drawing may be made, and no article may be manufactured or assembled in accordance with this drawing without prior written consent. This prohibition is a term of any contract relating to this drawing. Rights reserved under the Copyright Act 1956 as amended by the Design Copyright Act 1968.</small>	 The Catering Equipment Company			
Description	*** VC5HC ***			Desp/Date								
Material/Finish	Thickness		Weight	85kg	Quote No.			Dwg No.	VCP-060367	Issue		
Legacy P/N					SO Number	STANDARD		Drawn By	ABB	-		
Client					Approved By			Date	28/10/2019			
Client Project								Scale	1 : 20	Sheet	1 / 2	A4