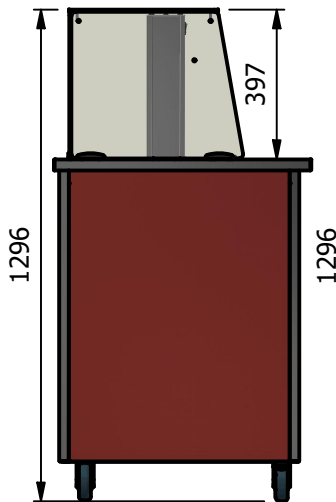
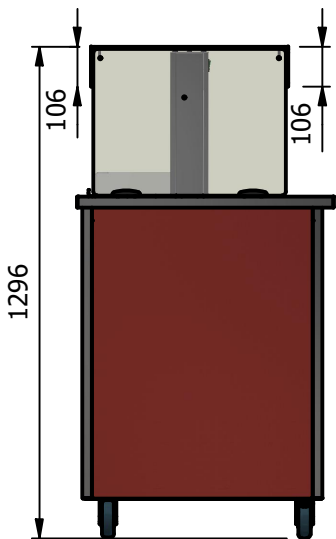
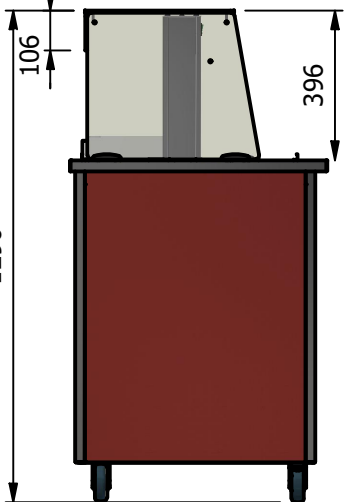
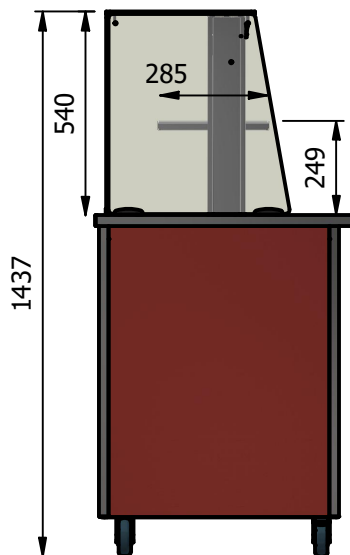


Island Square Glass



Square Glass Closed Front

Deli Square Glass



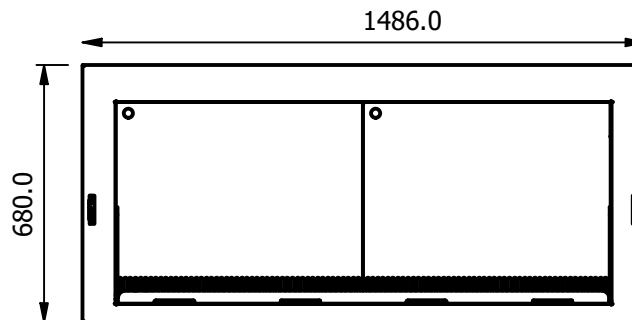
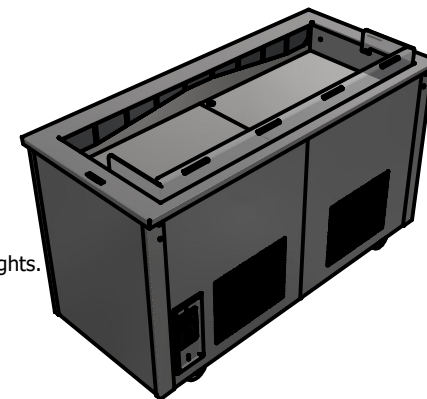
Square Glass Open Front

Important Design Parameters

Allowances must be made for air venting.
The under slung compressor must have an unrestricted air flow.
Proper venting must be provided ensuring cool air from the room can be drawn in through the condensing coil and out the other side.

Warning

Do not install unit in draughty conditions where the air movement is greater than 0.2mtr/sec. e.g. near entrance/exit doors, open windows, under air conditioning units or a ceiling mounted fan.
Do not install units where there is high radiated heat, e.g. direct sunlight, room heaters, or bright spot lights.
Ambient room conditions must not exceed 25°C or a relative humidity of 60%.
Blocked vents will cause reduced refrigeration efficiency and lead to malfunction



NOTE:- Serving height for children up to 12 years of age.
This model is available with a work top height of 800mm and a Trayslide height of 773mm.
Please add "B" to the end of the product code.

Moffat Specification

Dimensions

- Width - 1486mm
- Depth - 680mm
- Height - 900mm
- Weight - 155kg
- Well - 1312mm x 535mm x 130mm

Power Rating

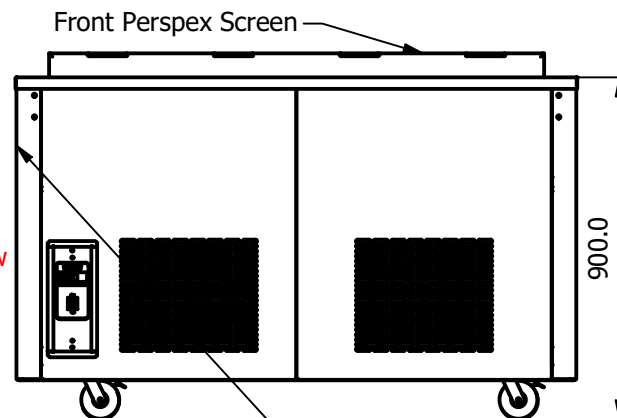
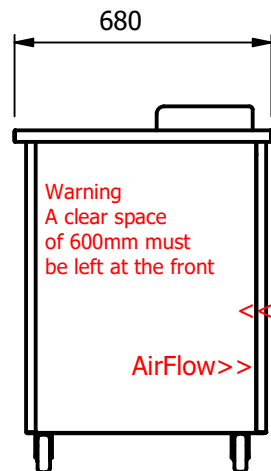
1.2kw
complete with a 2m long cord set & 13amp plug

Materials

- 0.7mm 430 Grade St/Steel Gantry Hood
- 1.2mm 304 Grade St/ Steel Top & Supports
- 1.2mm 430 Grade St Steel Ancillary Parts
- 6mm Tempered Glass
- LED Illumination

Installation

All swivel castors, two braked



POWER CABLE ENTRY POINT ON REAR

ALL SHEET METAL DIMENSIONS ARE I/S (INSIDE SIZES) (UNLESS OTHERWISE STATED)

ALL DIMENSIONS IN (mm), TOLERANCE = LINEAR ± 0.5mm, ANGULAR ± 0.5mm (OR AS STATED). ALL SHARP EDGES TO BE REMOVED FROM SHEET METAL PARTS

Product	VERSICARTE			Product No			
Description	*** VC4RWFC *** WITH SQUARE GLASS						
Material/Finish	Thickness			Desp/Date			
Legacy P/N	Weight	155kg		Quote No.			
Client				SO Number	STANDARD		
Client Project				Approved By			
				Dwg No.	VCP-083245		Issue
				Drawn By	ABB		-
				Date	05/07/2023		
E & R MOFFAT LTD, SEABEGS ROAD, BONNYBRIDGE, FK4 2BS, T: +44 (0)1324 812272, E: sales@ermoffat.co.uk, Web: www.ermoffat.co.uk				Scale	1 : 30		Sheet 1 / 2 A4

No reproduction or publication of this drawing may be made, and no article may be manufactured or assembled in accordance with this drawing without prior written consent. This prohibition is a term of any contract relating to this drawing. Rights reserved under the Copyright Act 1956 as amended by the Design Copyright Act 1968.

