

NOTE:- Serving height for children up to 12 years of age. This model is available with a work top height of 800mm and a Trayslide height of 773mm. Please add "B" to the end of the product code.

Moffat Specification

Bainmarie well

Dry heat
The open top with raised lip is designed to hold Gastronorm pans and heats via a solid state element fitted internally below the pans, additional excess residual hot air from the hot cupboard is also used to maintain temperature which gives energy saving efficiency.

Dry Heat
Fan Assisted Hotcupboard

Dimensions
Width - 1486mm
Depth - 680mm
Height - 900mm
Weight - 90kg



Sahara Fan Model SF309

Capacity of Bainmarie
Four GN1/1 pans up to 150mm deep
[Note:-pans are not supplied, available at extra cost]

Capacity of Hot Cupboard [usable inside space]

Width - 1351mm
Depth - 555mm
Usable Height Bottom shelf - 204mm
Usable Height Top Shelf - 245mm

50 covers & meals [10" plated meals stacked using plate covers]
or
190 off 10" plates stacked for heating
or
8 off 1/1GN pans side by side 150mm deep 4 on top 4 on bottom

Power Rating

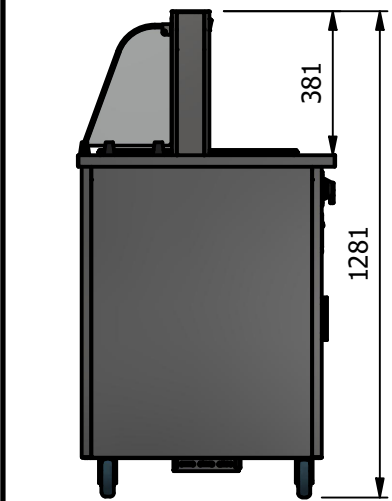
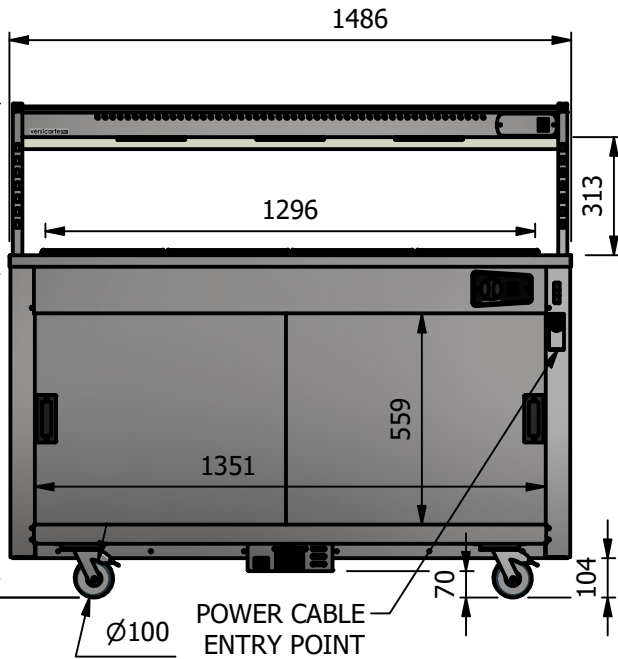
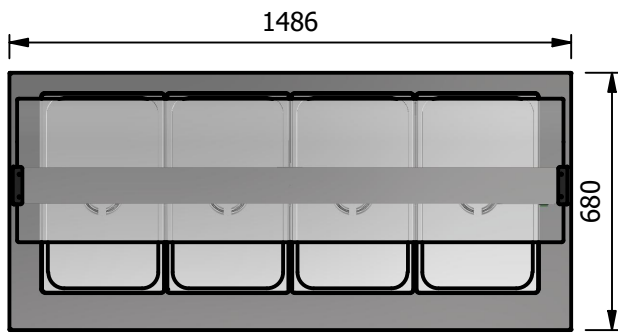
1.9kw with no gantry, 2.66Kw with heated gantry.
complete with a 2m long cord set & 13amp plug
Removable Fan heating System Sahara Fan Model SF309

Materials

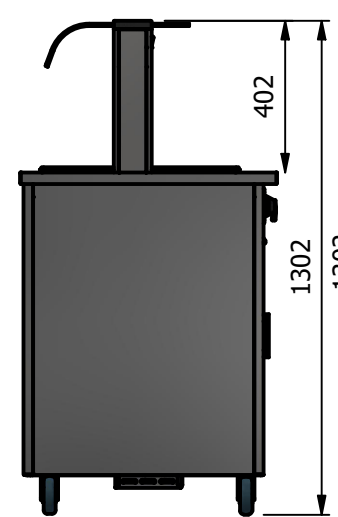
1.2mm 304 Grade St/ Steel Top & Supports
0.7mm 430 Grade St/ Steel Internal Structure
GN 1/1 Grid Shelves with 30mm x 30mm tube supports

Installation

All swivel castors, two braked



Curved Glass Closed Front



Curved Glass Open Front

ALL SHEET METAL DIMENSIONS ARE I/S (INSIDE SIZES) (UNLESS OTHERWISE STATED) ALL DIMENSIONS IN (mm), TOLERANCE = LINEAR ± 0.5mm, ANGULAR ± 0.5mm (OR AS STATED). ALL SHARP EDGES TO BE REMOVED FROM SHEET METAL PARTS

Product	VERSICARTE			Product No	N/A			<p>The Catering Equipment Company</p>
Description	*** VC4BM *** Curved Glass Options			<small>No reproduction or publication of this drawing may be made, and no article may be manufactured or assembled in accordance with this drawing without prior written consent. This prohibition is a term of any contract relating to this drawing. Rights reserved under the Copyright Act 1956 as amended by the Design Copyright Act 1968.</small>				
Material/Finish	Thickness			Desp/Date				
Legacy P/N	Weight	90kg		Quote No.		Dwg No.	VCP-060252	
Client				SO Number	STANDARD	Drawn By	ABB	
Client Project				Approved By		Date	28/10/2019	