

NOTE:- Serving height for children up to 12 years of age.  
 This model is available with a work top height of 800mm  
 and a Trayslide height of 773mm.  
 Please add "B" to the end of the product code.

**Moffat Specification**

**Wet heat**

Water level is an economic, 20mm deep with a water level mark on the well complete with drain valve and swing-out run-off tube for easy emptying. The well has a raised lip designed to hold Gastronorm pans and heats via solid state elements fitted under the well, additional excess residual hot air from the hot cupboard is also used to maintain temperature which gives energy saving efficiency.

**Dry Heat**

Fan Assisted Hotcupboard

**Dimensions**

Width - 1486mm  
 Depth - 680mm  
 Height - 900mm  
 Weight - 101kg



Sahara Fan Model SF309

**Capacity of Bainmarie**

Four GN1/1 pans up to 150mm deep  
 [Note:-pans are not supplied, available at extra cost]

**Capacity of Hot Cupboard [usable inside space]**

Width - 1351mm  
 Depth - 555mm  
 Usable Height Bottom shelf - 204mm  
 Usable Height Top Shelf - 245mm

50 covers & meals [10" plated meals stacked using plate covers]  
 or  
 190 off 10" plates stacked for heating  
 or  
 8 off 1/1GN pans side by side 150mm deep 4 on top 4 on bottom

**Power Rating**

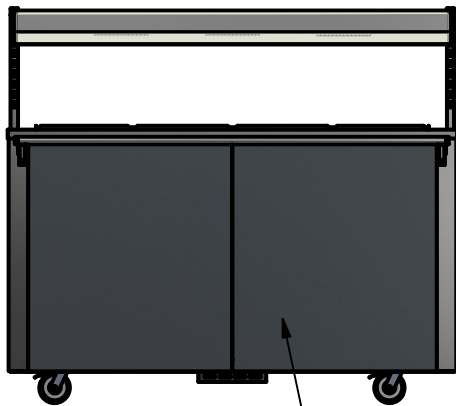
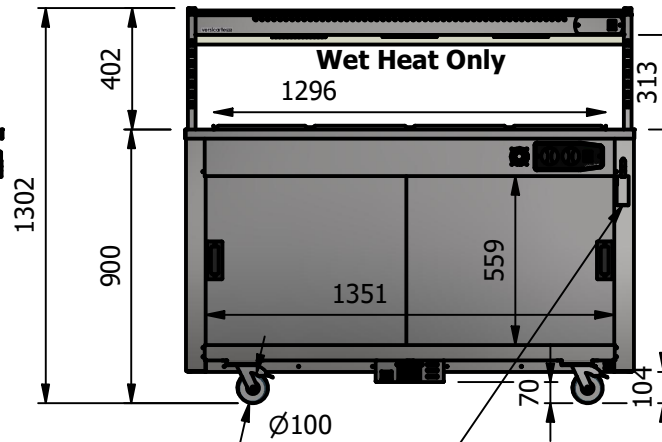
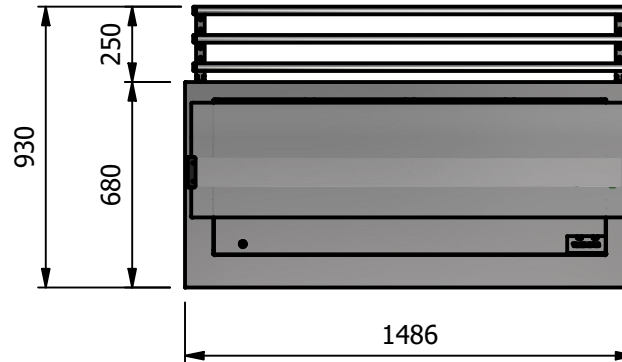
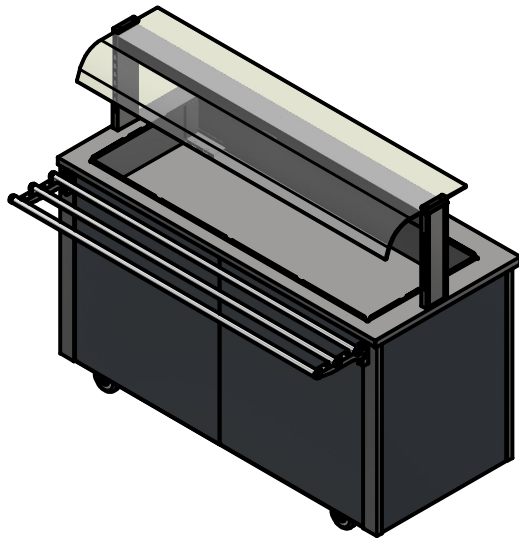
2.9kw with no gantry, 3.56Kw with heated gantry.  
 complete with a 2m long cord set & 16amp plug  
 Removable Fan heating System Sahara Fan Model SF309

**Materials**

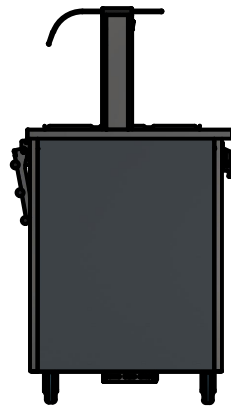
1.2mm 304 Grade St/ Steel Top & Supports  
 0.7mm 430 Grade St/ Steel Internal Structure  
 GN 1/1 Grid Shelves with 30mm x 30mm tube supports

**Installation**

All swivel castors, two braked



Stelvetite Front & Ends  
 Colour T.B.C



POWER CABLE  
 ENTRY POINT

ALL SHEET METAL DIMENSIONS ARE I/S (INSIDE SIZES) (UNLESS OTHERWISE STATED)

ALL DIMENSIONS IN (mm), TOLERANCE = LINEAR ± 0.5mm, ANGULAR ± 0.5mm (OR AS STATED). ALL SHARP EDGES TO BE REMOVED FROM SHEET METAL PARTS

Product	VERSICARTE			Product No	N/A			<p>The Catering Equipment Company</p>
Description	*** VC4BMW ***							
Material/Finish	Thickness			Desp/Date				
Legacy P/N	Weight	101kg		Quote No.				
Client				SO Number	STANDARD			
Client Project				Approved By				
				Dwg No.	VCP-080083		Issue	
				Drawn By	ABB		-	
				Date	03/07/2023			
E & R MOFFAT LTD, SEABEGS ROAD, BONNYBRIDGE, FK4 2BS, T: +44 (0)1324 812272, E: sales@ermoffat.co.uk, Web: www.ermoffat.co.uk				Scale	1 : 25		Sheet 1 / 2 <b>A4</b>	

No reproduction or publication of this drawing may be made, and no article may be manufactured or assembled in accordance with this drawing without prior written consent. This prohibition is a term of any contract relating to this drawing. Rights reserved under the Copyright Act 1956 as amended by the Design Copyright Act 1968.