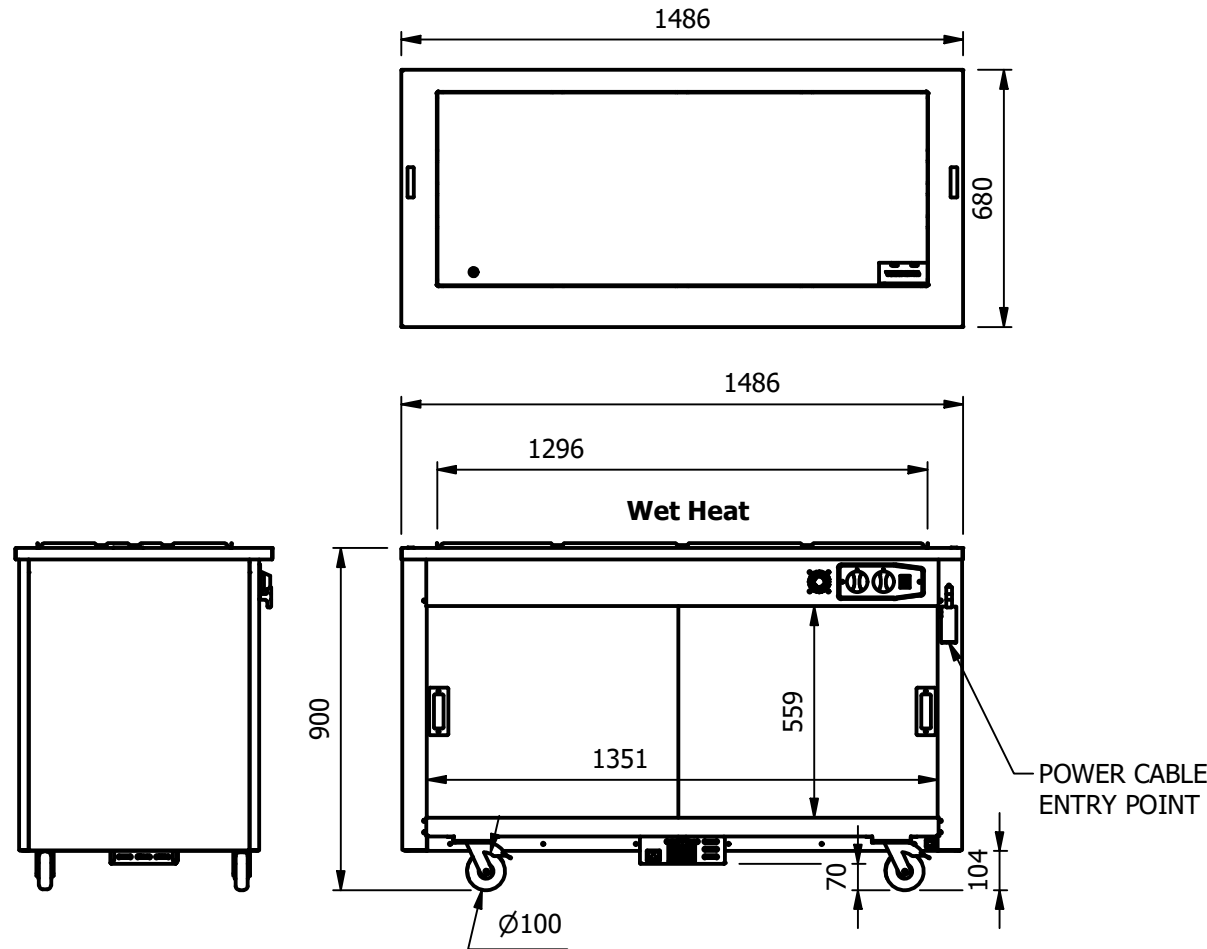


NOTE:- Serving height for children up to 12 years of age.  
 This model is available with a work top height of 800mm  
 and a Trayslide height of 773mm.  
 Please add "B" to the end of the product code.



**Moffat Specification**

Wet heat

Water level is an economic, 20mm deep with a water level mark on the well complete with drain valve and swing-out run-off tube for easy emptying. The well has a raised lip designed to hold Gastronorm pans and heats via solid state elements fitted under the well, additional excess residual hot air from the hot cupboard is also used to maintain temperature which gives energy saving efficiency.

Dry Heat

Fan Assisted Hotcupboard



Sahara Fan Model SF309

Dimensions

Width - 1486mm  
 Depth - 680mm  
 Height - 900mm  
 Weight - 101kg

Capacity of Bainmarie

Four GN1/1 pans up to 150mm deep  
 [Note:-pans are not supplied, available at extra cost]

Capacity of Hot Cupboard [usable inside space]

Width - 1351mm  
 Depth - 555mm  
 Usable Height Bottom shelf - 204mm  
 Usable Height Top Shelf - 245mm

50 covers & meals [10" plated meals stacked using plate covers]  
 or  
 190 off 10" plates stacked for heating  
 or  
 8 off 1/1GN pans side by side 150mm deep 4 on top 4 on bottom

Power Rating

2.9kw with no gantry, 3.56Kw with heated gantry.  
 complete with a 2m long cord set & 16amp plug  
 Removable Fan heating System Sahara Fan Model SF309

Materials

1.2mm 304 Grade St/ Steel Top & Supports  
 0.7mm 430 Grade St/ Steel Internal Structure  
 GN 1/1 Grid Shelves with 30mm x 30mm tube supports

Installation

All swivel castors, two braked

ALL SHEET METAL DIMENSIONS ARE I/S (INSIDE SIZES) (UNLESS OTHERWISE STATED)

ALL DIMENSIONS IN (mm), TOLERANCE = LINEAR ± 0.5mm, ANGULAR ± 0.5mm (OR AS STATED). ALL SHARP EDGES TO BE REMOVED FROM SHEET METAL PARTS

Product	VERSICARTE		Product No	N/A		<p>No reproduction or publication of this drawing may be made, and no article may be manufactured or assembled in accordance with this drawing without prior written consent. This prohibition is a term of any contract relating to this drawing. Rights reserved under the Copyright Act 1956 as amended by the Design Copyright Act 1968.</p>	<p>The Catering Equipment Company</p>	
Description	*** VC4BMW ***		Desp/Date					
Material/Finish	Thickness		Quote No.	Dwg No.	VCP-084985	Issue		
Legacy P/N	Weight	101kg	SO Number	Drawn By	ABB	-		
Client			Approved By	Date	03/07/2023			
Client Project				Scale	1 : 20	Sheet	1 / 1	A4