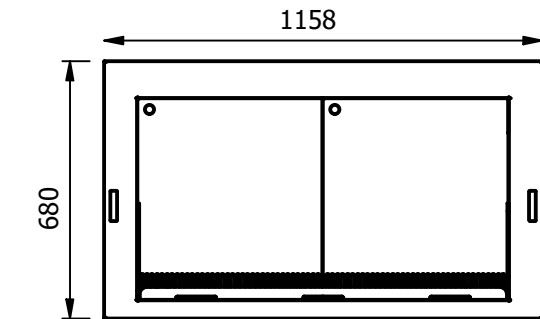
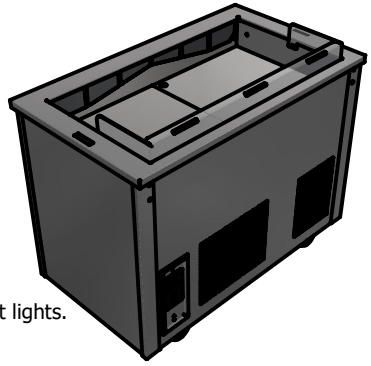


**Important Design Parameters**  
 Allowances must be made for air venting.  
 The under slung compressor must have an unrestricted air flow.  
 Proper venting must be provided ensuring cool air from the room can be drawn in through the condensing coil and out the other side.

**Warning**  
 Do not install unit in draughty conditions where the air movement is greater than 0.2mtr/sec.  
 e.g. near entrance/exit doors, open windows, under air conditioning units or a ceiling mounted fan  
 Do not install units where there is high radiated heat, e.g. direct sunlight, room heaters, or bright spot lights.  
 Ambient room conditions must not exceed 25°C or a relative humidity of 60%.  
 Blocked vents will cause reduced refrigeration efficiency and lead to malfunction



NOTE:- Serving height for children up to 12 years of age.  
 This model is available with a work top height of 800mm and a Trayslide height of 773mm.  
 Please add "B" to the end of the product code.

**Moffat Specification**  
**Dimensions**  
 Width - 1158mm  
 Depth - 680mm  
 Height - 900mm  
 Weight - 125kg  
 Well - 984mm x 535mm x 130mm

**Power Rating**  
 1.2kw  
 complete with a 2m long cord set & 13amp plug

**Materials**  
 0.7mm 430 Grade St/Steel Gantry Hood  
 1.2mm 304 Grade St/ Steel Top & Supports  
 1.2mm 430 Grade St Steel Ancillary Parts  
 6mm Tempered Glass  
 LED Illumination

**Installation**  
 All swivel castors, two braked

ALL SHEET METAL DIMENSIONS ARE I/S (INSIDE SIZES) (UNLESS OTHERWISE STATED) ALL DIMENSIONS IN (mm), TOLERANCE = LINEAR ± 0.5mm, ANGULAR ± 0.5mm (OR AS STATED). ALL SHARP EDGES TO BE REMOVED FROM SHEET METAL PARTS

Product	VERSICARTE			Product No					
Description	*** VC3RWFC *** WITH SQUARE GLASS								
Material/Finish	Thickness			Desp/Date			 The Catering Equipment Company		
Legacy P/N	Weight	124.67Kg		Quote No.					
Client				SO Number	STANDARD		Dwg No.	VCP-083243	Issue
Client Project				Approved By			Drawn By	ABB	-
							Date	05/07/2023	