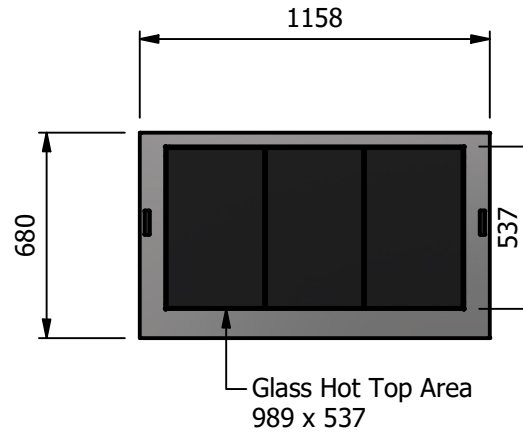
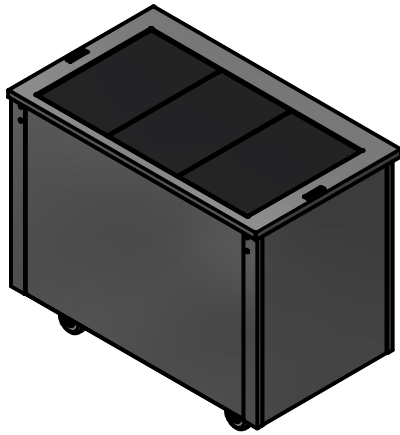


NOTE:- Serving height for children up to 12 years of age.  
 This model is available with a work top height of 800mm  
 and a Trayslide height of 773mm.  
 Please add "B" to the end of the product code.



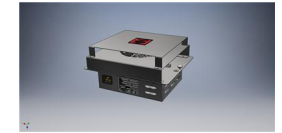
**Moffat Specification**

Neo-Ceram glass hot Top

The Stainless steel top inset with Neo Ceram glass panels provides a clean hot serving area.

Dry Heat

Fan Assisted Hotcupboard



Sahara Fan Model SF315

Dimensions

Width - 1158mm  
 Depth - 680mm  
 Height - 900mm  
 Weight - 82kg

Area of hot top

989mm x 537mm

Capacity of Hot Cupboard [usable inside space]

Width - 1023mm  
 Depth - 555mm  
 Usable Height Bottom shelf - 204mm  
 Usable Height Top Shelf - 245mm

35 covers & meals [10" plated meals stacked using plate covers]  
 or  
 133 off 10" plates stacked for heating  
 or  
 6 off 1/1GN pans side by side 150mm deep 3 on top 3 on bottom

Power Rating

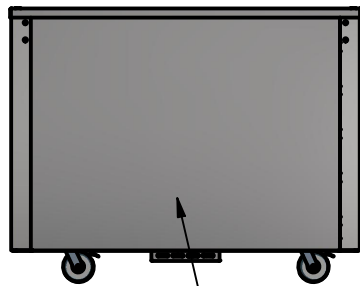
2.04kw with no gantry, 2.48Kw with heated gantry.  
 complete with a 2m long cord set & 13amp plug  
 Removable Fan heating System Sahara Fan Model SF315

Materials

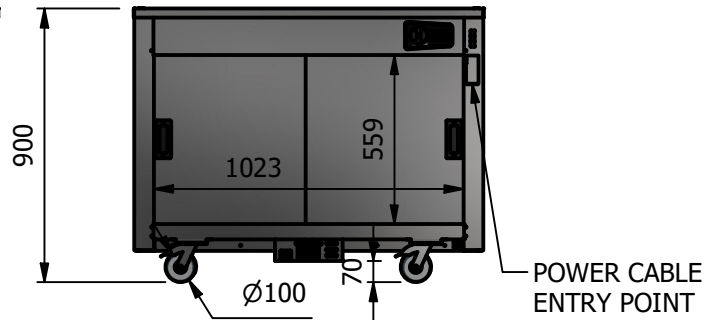
1.2mm 304 Grade St/ Steel Top & Supports  
 0.7mm 430 Grade St/ Steel Internal Structure  
 GN 1/1 Grid Shelves with 30mm x 30mm tube supports

Installation

All swivel castors, two braked



Stainless Steel  
 Front & End Panels



ALL SHEET METAL DIMENSIONS ARE I/S (INSIDE SIZES) (UNLESS OTHERWISE STATED)

ALL DIMENSIONS IN (mm), TOLERANCE = LINEAR ± 0.5mm, ANGULAR ± 0.5mm (OR AS STATED). ALL SHARP EDGES TO BE REMOVED FROM SHEET METAL PARTS

Product	VERSICARTE			Product No	N/A						
Description	VC3HT										
Material/Finish	Thickness		Desp/Date								
Legacy P/N	Weight	82kg	Quote No.	Dwg No.	VCP-072582	Issue					
Client				SO Number	STANDARD		Drawn By	ABB			
Client Project				Approved By			Date	04/07/2023			
E & R MOFFAT LTD, SEABEGS ROAD, BONNYBRIDGE, FK4 2BS, T: +44 (0)1324 812272, E: sales@ermoffat.co.uk, Web: www.ermoffat.co.uk							Scale	1 : 25	Sheet	1 / 1	A4

No reproduction or publication of this drawing may be made, and no article may be manufactured or assembled in accordance with this drawing without prior written consent. This prohibition is a term of any contract relating to this drawing. Rights reserved under the Copyright Act 1956 as amended by the Design Copyright Act 1968.

