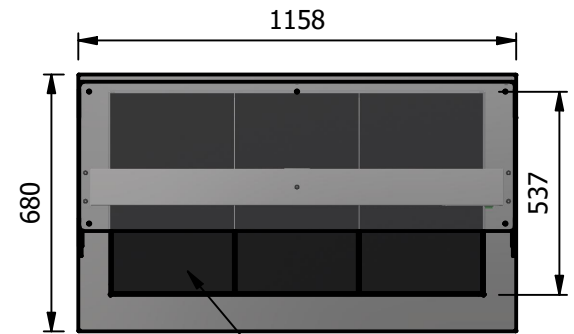
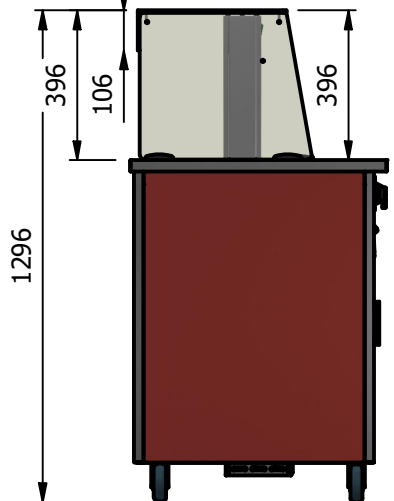
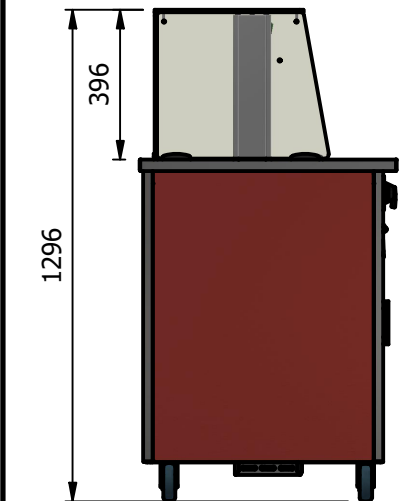


NOTE:- Serving height for children up to 12 years of age. This model is available with a work top height of 800mm and a Trayslide height of 773mm. Please add "B" to the end of the product code.

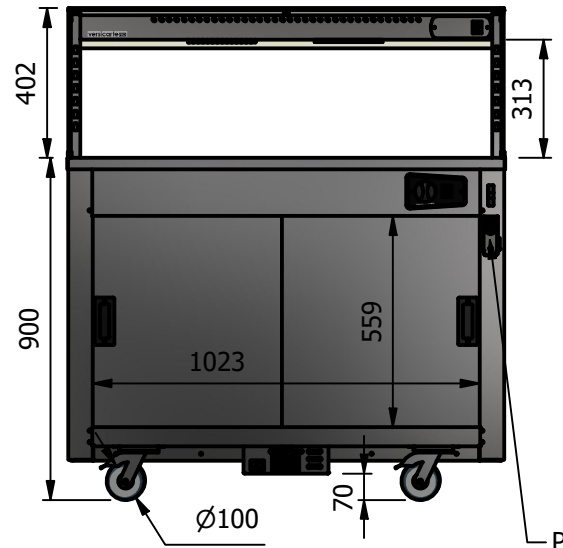


Glass Hot Top Area
989 x 537



Square Glass Closed Front

Square Glass Open Front



POWER CABLE
ENTRY POINT

Moffat Specification

Neo-Ceram glass hot Top
The Stainless steel top inset with Neo Ceram glass panels provides a clean hot serving area.

Dry Heat
Fan Assisted Hotcupboard

Dimensions
Width - 1158mm
Depth - 680mm
Height - 900mm
Weight - 82kg



Sahara Fan Model SF315

Area of hot top
989mm x 537mm

Capacity of Hot Cupboard [usable inside space]
Width - 1023mm
Depth - 555mm
Usable Height Bottom shelf - 204mm
Usable Height Top Shelf - 245mm

35 covers & meals [10" plated meals stacked using plate covers]
or
133 off 10" plates stacked for heating
or
6 off 1/1GN pans side by side 150mm deep 3 on top 3 on bottom

Power Rating
2.04kw with no gantry, 2.48Kw with heated gantry.
complete with a 2m long cord set & 13amp plug
Removable Fan heating System Sahara Fan Model SF315

Materials
1.2mm 304 Grade St/ Steel Top & Supports
0.7mm 430 Grade St/ Steel Internal Structure
GN 1/1 Grid Shelves with 30mm x 30mm tube supports

Installation
All swivel castors, two braked

ALL SHEET METAL DIMENSIONS ARE I/S (INSIDE SIZES) (UNLESS OTHERWISE STATED) ALL DIMENSIONS IN (mm), TOLERANCE = LINEAR ± 0.5mm, ANGULAR ± 0.5mm (OR AS STATED). ALL SHARP EDGES TO BE REMOVED FROM SHEET METAL PARTS

Product	VERSICARTE		Product No	N/A		<p>The Catering Equipment Company</p>
Description	*** VC3HTSL **** Square Glass Options		Desp/Date			
Material/Finish	Thickness		Quote No.	Dwg No.	VCP-065977	Issue
Legacy P/N	Weight	82kg	SO Number	Drawn By	ABB	-
Client			Approved By	Date	04/07/2023	