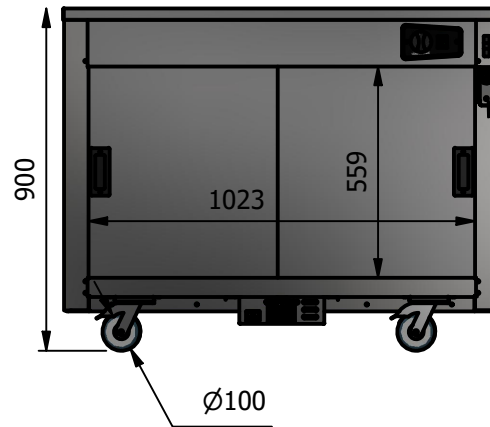
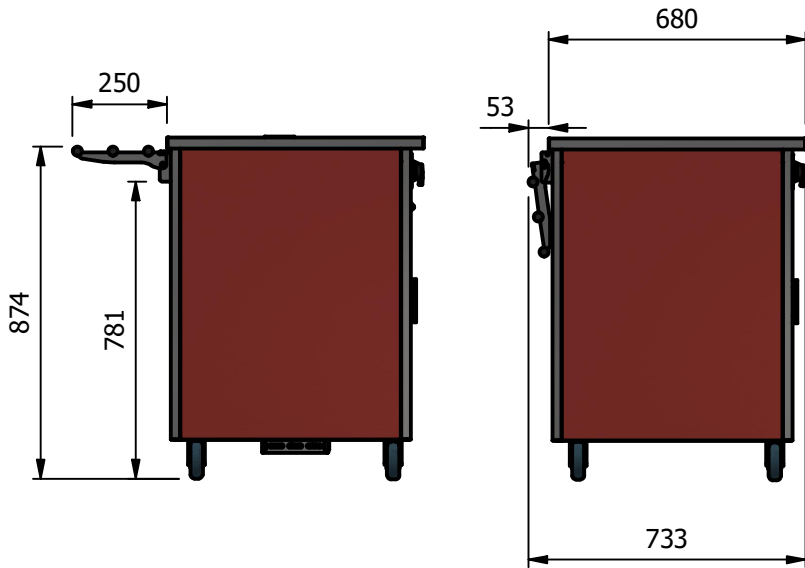
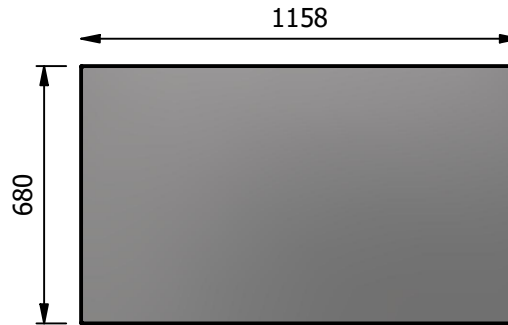


NOTE:- Serving height for children up to 12 years of age.
 This model is available with a work top height of 800mm
 Trayslide height of 773mm.
 Please add "B" to the end of the product code.



Moffat Specification

Solid Stainless Steel Worktop
 Insulated for efficiency
 provides a clean serving area.

Dry Heat
 Fan Assisted Hotcupboard



Sahara Fan Model SF315

Dimensions
 Width - 1158mm
 Depth - 680mm
 Height - 900mm
 Weight - 51kg

Capacity of Hot Cupboard [usable inside space]
 Width - 1023mm
 Depth - 555mm
 Usable Height Bottom shelf - 204mm
 Usable Height Top Shelf - 245mm

35 covers & meals [10" plated meals stacked using plate covers]
 or
 133 off 10" plates stacked for heating
 or
 6 off 1/1GN pans side by side 150mm deep 3 on top 3 on bottom

Power Rating
 1.5kw.
 complete with a 2m long cord set & 13amp plug
 Removable Fan heating System Sahara Fan Model SF315

Materials
 1.2mm 304 Grade St/ Steel Top & Supports
 0.7mm 430 Grade St/ Steel Internal Structure
 GN 1/1 Grid Shelves with 30mm x 30mm tube supports

Installation
 All swivel castors, two braked

POWER CABLE
 ENTRY POINT

ALL SHEET METAL DIMENSIONS ARE I/S (INSIDE SIZES) (UNLESS OTHERWISE STATED)

ALL DIMENSIONS IN (mm), TOLERANCE = LINEAR ± 0.5mm, ANGULAR ± 0.5mm (OR AS STATED). ALL SHARP EDGES TO BE REMOVED FROM SHEET METAL PARTS

Product	VERSICARTE			Product No	N/A				
Description	*** VC3HC ***								
Material/Finish	Thickness		Desp/Date		 The Catering Equipment Company				
Legacy P/N	Weight	51kg	Quote No.						
Client			SO Number	STANDARD	Dwg No.	VCP-055046	Issue		
Client Project			Approved By		Drawn By	ABB	-		
					Date	28/10/2019			
E & R MOFFAT LTD, SEABEGS ROAD, BONNYBRIDGE, FK4 2BS, T: +44 (0)1324 812272, E: sales@ermoffat.co.uk, Web: www.ermoffat.co.uk					Scale	1 : 20	Sheet	1 / 2	A4

No reproduction or publication of this drawing may be made, and no article may be manufactured or assembled in accordance with this drawing without prior written consent. This prohibition is a term of any contract relating to this drawing. Rights reserved under the Copyright Act 1956 as amended by the Design Copyright Act 1968.