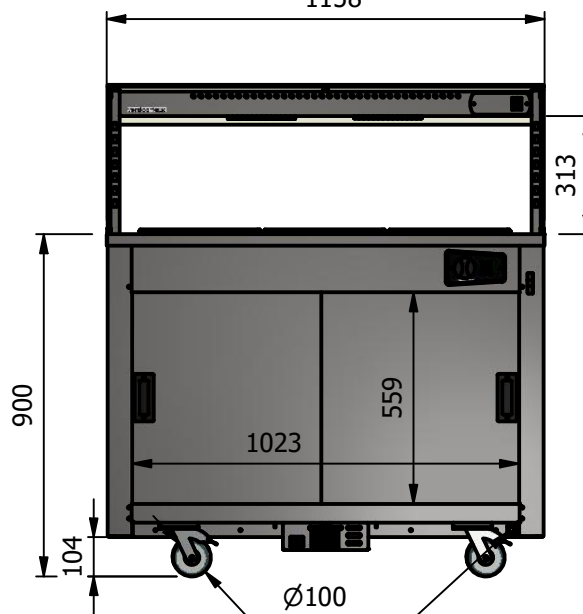
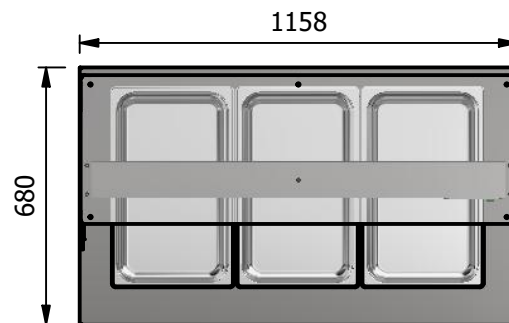


Square Glass Closed Front

Square Glass Open Front

NOTE:- Serving height for children up to 12 years of age. This model is available with a work top height of 800mm and a Trayslide height of 773mm. Please add "B" to the end of the product code.



POWER CABLE ENTRY POINT

**Moffat Specification**

Bainmarie well

Dry heat

The open top with raised lip is designed to hold Gastronorm pans and heats via a solid state element fitted internally below the pans, additional excess residual hot air from the hot cupboard is also used to maintain temperature which gives energy saving efficiency.

Dry Heat

Fan Assisted Hotcupboard

Dimensions

Width - 1158mm

Depth - 680mm

Height - 900mm

Weight - 67kg



Sahara Fan Model SF309

Capacity of Bainmarie

Three GN1/1 pans up to 150mm deep

[Note:-pans are not supplied, available at extra cost]

Capacity of Hot Cupboard [usable inside space]

Width - 1023mm

Depth - 555mm

Usable Height Bottom shelf - 204mm

Usable Height Top Shelf - 245mm

35 covers & meals [10" plated meals stacked using plate covers]

or

133 off 10" plates stacked for heating

or

6 off 1/1GN pans side by side 150mm deep 3 on top 3 on bottom

Power Rating

1.9kw with no gantry, 2.34Kw with heated gantry.

complete with a 2m long cord set & 13amp plug

Removable Fan heating System Sahara Fan Model SF309

Materials

1.2mm 304 Grade St/ Steel Top & Supports

0.7mm 430 Grade St/ Steel Internal Structure

GN 1/1 Grid Shelves with 30mm x 30mm tube supports

Installation

All swivel castors, two braked

ALL SHEET METAL DIMENSIONS ARE I/S (INSIDE SIZES) (UNLESS OTHERWISE STATED)

ALL DIMENSIONS IN (mm), TOLERANCE = LINEAR ± 0.5mm, ANGULAR ± 0.5mm (OR AS STATED). ALL SHARP EDGES TO BE REMOVED FROM SHEET METAL PARTS

Product	VERSICARTE		Product No	N/A		<p>The Catering Equipment Company</p>				
Description	*** VC3BMSL *** Square Glass Options									
Material/Finish	Thickness		Desp/Date			<p>No reproduction or publication of this drawing may be made, and no article may be manufactured or assembled in accordance with this drawing without prior written consent. This prohibition is a term of any contract relating to this drawing. Rights reserved under the Copyright Act 1956 as amended by the Design Copyright Act 1968.</p>				
Legacy P/N	Weight	67kg	Quote No.							
Client			SO Number	STANDARD		Dwg No.	VCP-065909	Issue		
Client Project			Approved By			Drawn By	ABB			
E & R MOFFAT LTD, SEABEGS ROAD, BONNYBRIDGE, FK4 2BS, T: +44 (0)1324 812272, E: sales@ermoffat.co.uk, Web: www.ermoffat.co.uk						Date	28/10/2019			
						Scale	1 : 20	Sheet	1 / 2	A4