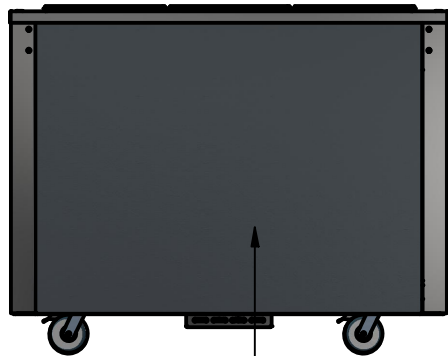
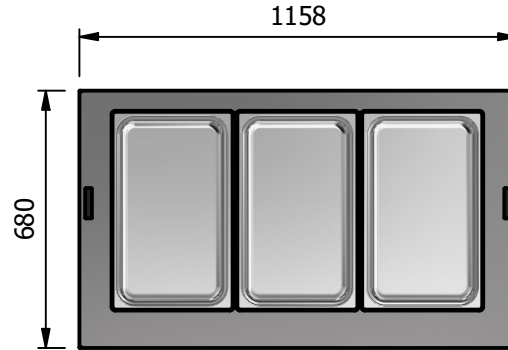
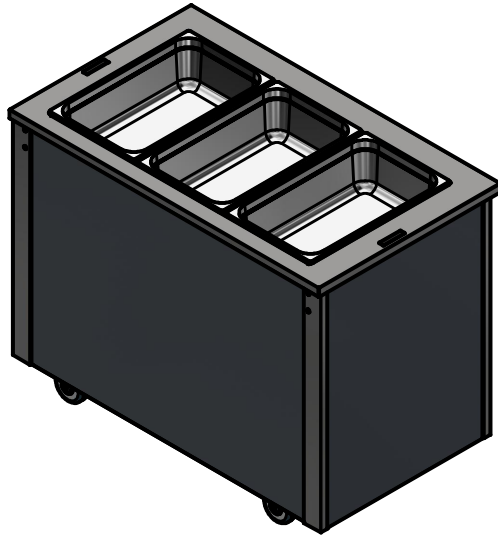
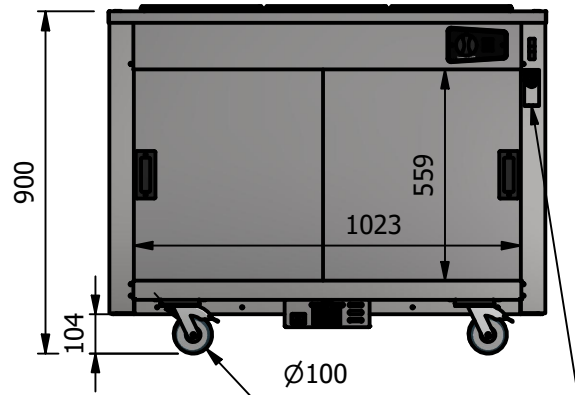


NOTE:- Serving height for children up to 12 years of age.  
 This model is available with a work top height of 800mm  
 and a Trayslide height of 773mm.  
 Please add "B" to the end of the product code.



Merlin Grey  
Front & End Panels



POWER CABLE  
ENTRY POINT

**Moffat Specification**

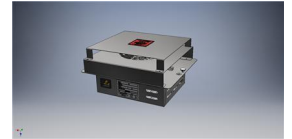
Bainmarie well

Dry heat

The open top with raised lip is designed to hold Gastronorm pans and heats via a solid state element fitted internally below the pans, additional excess residual hot air from the hot cupboard is also used to maintain temperature which gives energy saving efficiency.

Dry Heat

Fan Assisted Hotcupboard



Sahara Fan Model SF309

Dimensions

Width - 1158mm  
 Depth - 680mm  
 Height - 900mm  
 Weight - 67kg

Capacity of Bainmarie

Three GN1/1 pans up to 150mm deep  
 [Note:-pans are not supplied, available at extra cost]

Capacity of Hot Cupboard [usable inside space]

Width - 1023mm  
 Depth - 555mm  
 Usable Height Bottom shelf - 204mm  
 Usable Height Top Shelf - 245mm

35 covers & meals [10" plated meals stacked using plate covers]  
 or  
 133 off 10" plates stacked for heating  
 or  
 6 off 1/1GN pans side by side 150mm deep 3 on top 3 on bottom

Power Rating

1.9kw with no gantry, 2.34Kw with heated gantry.  
 complete with a 2m long cord set & 13amp plug  
 Removable Fan heating System Sahara Fan Model SF309

Materials


1.2mm 304 Grade St/ Steel Top & Supports  
 0.7mm 430 Grade St/ Steel Internal Structure  
 GN 1/1 Grid Shelves with 30mm x 30mm tube supports

Installation

All swivel castors, two braked

ALL SHEET METAL DIMENSIONS ARE I/S (INSIDE SIZES) (UNLESS OTHERWISE STATED)

ALL DIMENSIONS IN (mm), TOLERANCE = LINEAR ± 0.5mm, ANGULAR ± 0.5mm (OR AS STATED). ALL SHARP EDGES TO BE REMOVED FROM SHEET METAL PARTS

Product	VERSICARTE			Product No	N/A			 The Catering Equipment Company
Description	VC3BM			Desp/Date				
Material/Finish	Thickness			Quote No.			Dwg No. VCP-072335 Issue -	
Legacy P/N	Weight	67kg		SO Number	STANDARD			
Client				Approved By			Drawn By ABB Date 28/10/2019	
Client Project						Scale 1 : 20 Sheet 1 / 1 <b>A4</b>		