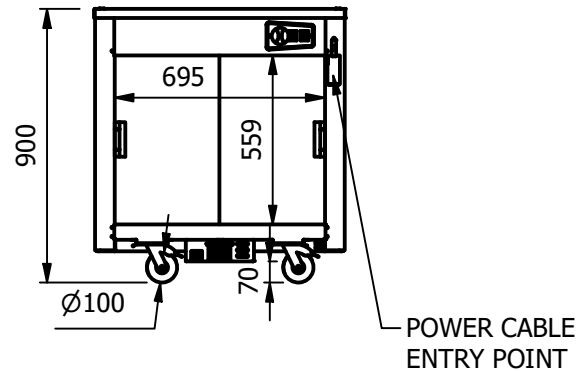
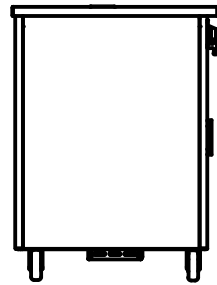
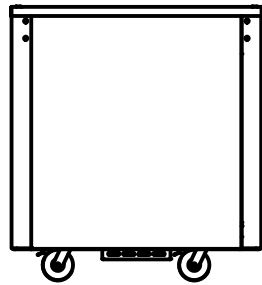
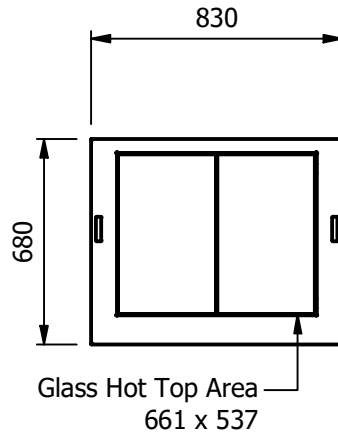


NOTE:- Serving height for children up to 12 years of age.
 This model is available with a work top height of 800mm
 and a Trayslide height of 773mm.
 Please add "B" to the end of the product code.



Moffat Specification

Neo-Ceram glass hot Top

The Stainless steel top inset with Neo Ceram glass panels provides a clean hot serving area.

Dry Heat

Fan Assisted Hotcupboard

Dimensions

Width - 830mm
 Depth - 680mm
 Height - 900mm
 Weight - 55kg



Sahara Fan Model SF309

Area of hot top

661mm x 537mm

Capacity of Hot Cupboard [usable inside space]

Width - 695mm
 Depth - 555mm
 Usable Height Bottom shelf - 204mm
 Usable Height Top Shelf - 245mm

25 covers & meals [10" plated meals stacked using plate covers]
 or
 95 off 10" plates stacked for heating
 or
 4 off 1/1GN pans side by side 150mm deep 2 on top 2 on bottom

Power Rating

1.26kw with no gantry, 1.48Kw with heated gantry.
 complete with a 2m long cord set & 13amp plug
 Removable Fan heating System Sahara Fan Model SF309

Materials

1.2mm 304 Grade St/ Steel Top & Supports
 0.7mm 430 Grade St/ Steel Internal Structure
 GN 1/1 Grid Shelves with 30mm x 30mm tube supports

Installation

All swivel castors, two braked

ALL SHEET METAL DIMENSIONS ARE I/S (INSIDE SIZES) (UNLESS OTHERWISE STATED)

ALL DIMENSIONS IN (mm), TOLERANCE = LINEAR ± 0.5mm, ANGULAR ± 0.5mm (OR AS STATED). ALL SHARP EDGES TO BE REMOVED FROM SHEET METAL PARTS

Product	VERSICARTE		Product No	N/A		 The Catering Equipment Company
Description	VC2HT					
Material/Finish	Thickness		Desp/Date			No reproduction or publication of this drawing may be made, and no article may be manufactured or assembled in accordance with this drawing without prior written consent. This prohibition is a term of any contract relating to this drawing. Rights reserved under the Copyright Act 1956 as amended by the Design Copyright Act 1968.
Legacy P/N	Weight	55kg	Quote No.			
Client			SO Number	STANDARD	Dwg No.	VCP-072492
Client Project			Approved By		Drawn By	ABB
					Date	04/07/2023
					Scale	1 : 25
					Sheet	1 / 1
						A4