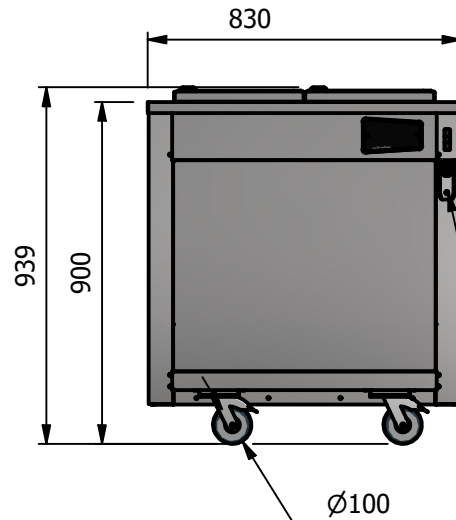
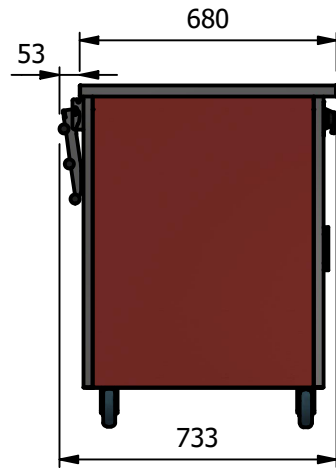
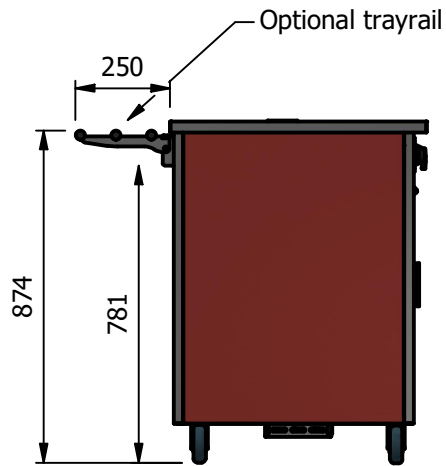
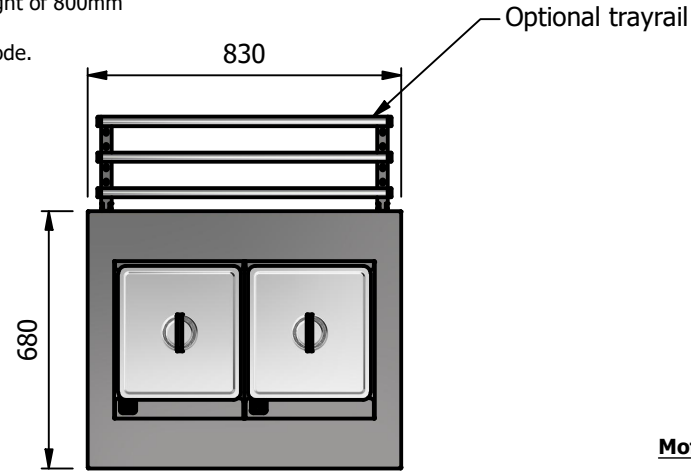


NOTE:- Serving height for children up to 12 years of age.
 This model is available with a work top height of 800mm
 Trayslide height of 773mm.
 Please add "B" to the end of the product code.



POWER CABLE
ENTRY POINT

Moffat Specification

Fitted with double tube pop up plate dispenser.
 Designed for the storage and dispensing of any size or shape of plate, be it round, oval, square or designer shape, that can fit within a 305mm (12") square.

Dimensions

Width - 830mm
 Depth - 680mm
 Height - 939mm
 Weight - 56kg

Power Rating

1.20kw
 complete with a 2m long cord set & 13amp plug

Materials


1.2mm 304 Grade St/ Steel Top & Supports
 0.7mm 430 Grade St/ Steel Internal Structure

Installation

All swivel castors, two braked

ALL SHEET METAL DIMENSIONS ARE I/S (INSIDE SIZES) (UNLESS OTHERWISE STATED)

ALL DIMENSIONS IN (mm), TOLERANCE = LINEAR ± 0.5mm, ANGULAR ± 0.5mm (OR AS STATED). ALL SHARP EDGES TO BE REMOVED FROM SHEET METAL PARTS

Product	VERSICARTE			Product No	N/A			 The Catering Equipment Company			
Description	*** VC2CDH ***										
Material/Finish	Thickness			Disp/Date							
Legacy P/N	Weight	56kg		Quote No.			Dwg No.	VCP-071100	Issue		
Client				SO Number	STANDARD		Drawn By	ABB			
Client Project				Approved By			Date	28/10/2019			
E & R MOFFAT LTD, SEABEGS ROAD, BONNYBRIDGE, FK4 2BS, T: +44 (0)1324 812272, E: sales@ermoffat.co.uk, Web: www.ermoffat.co.uk							Scale	1 : 20	Sheet	1 / 2	A4

No reproduction or publication of this drawing may be made, and no article may be manufactured or assembled in accordance with this drawing without prior written consent. This prohibition is a term of any contract relating to this drawing. Rights reserved under the Copyright Act 1956 as amended by the Design Copyright Act 1968.