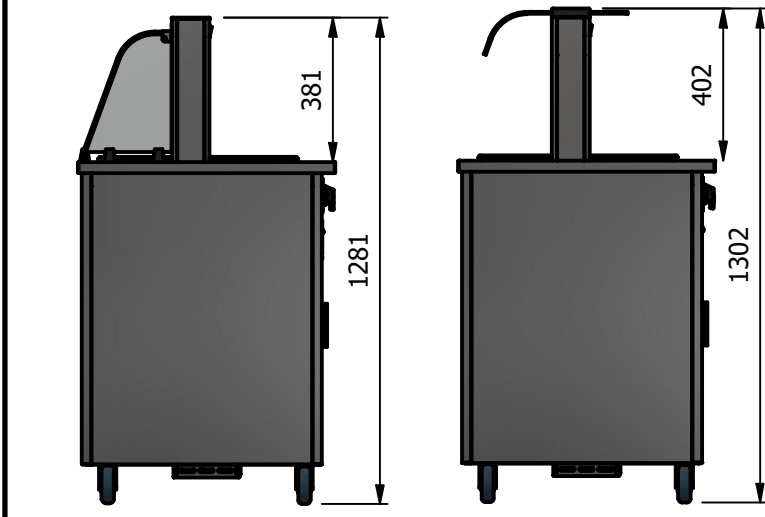
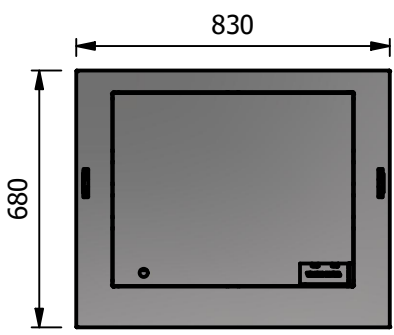


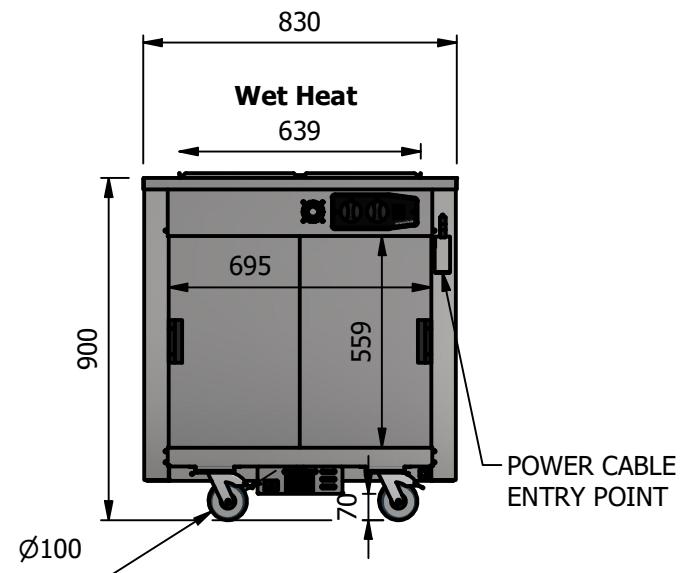
Deli Curved Glass

NOTE:- Serving height for children up to 12 years of age. This model is available with a work top height of 800mm and a Trayslide height of 773mm. Please add "B" to the end of the product code.



Curved Glass Closed Front

Curved Glass Open Front



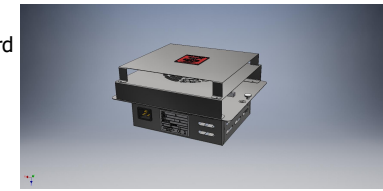
**Wet Heat**

POWER CABLE ENTRY POINT

**Moffat Specification**

Wet heat Bainmarie well  
Water level is an economic, 20mm deep with a water level mark on the well, complete with drain valve and swing-out run-off tube for easy emptying. The well has a raised lip designed to hold Gastronorm pans and heats via solid state elements fitted under the well, additional excess residual hot air from the hot cupboard is also used to maintain temperature which gives energy savings.

Dry Heat  
Fan Assisted Hotcupboard



Sahara Fan Model SF309

Dimensions  
Width - 830mm  
Depth - 680mm  
Height - 900mm  
Weight - 51kg

Capacity of Bainmarie  
Two GN1/1 pans up to 150mm deep  
[Note:-pans are not supplied, available at extra cost]

Capacity of Hot Cupboard [usable inside space]  
Width - 695mm  
Depth - 555mm  
Usable Height Bottom shelf - 204mm  
Usable Height Top Shelf - 245mm

25 covers & meals  
[10" plated meals stacked using plate covers]  
or  
95 off 10" plates stacked for heating  
or  
4 off 1/1GN pans side by side 150mm deep  
2 on top 2 on bottom


Power Rating  
2.40kw with no gantry, 2.62Kw with heated gantry.  
complete with a 2m long cord set & 13amp plug  
Removable Fan heating System Sahara Fan Model SF309

Materials  
1.2mm 304 Grade St/ Steel Top & Supports  
0.7mm 430 Grade St/ Steel Internal Structure  
GN 1/1 Grid Shelves with 30mm x 30mm tube supports

Installation  
All swivel castors, two braked

ALL SHEET METAL DIMENSIONS ARE I/S (INSIDE SIZES) (UNLESS OTHERWISE STATED)

ALL DIMENSIONS IN (mm), TOLERANCE = LINEAR ± 0.5mm, ANGULAR ± 0.5mm (OR AS STATED). ALL SHARP EDGES TO BE REMOVED FROM SHEET METAL PARTS

Product	VERSICARTE			Product No	N/A		
Description	*** VC2BMW ***			<small>No reproduction or publication of this drawing may be made, and no article may be manufactured or assembled in accordance with this drawing without prior written consent. This prohibition is a term of any contract relating to this drawing. Rights reserved under the Copyright Act 1956 as amended by the Design Copyright Act 1968.</small>			
Material/Finish	Thickness		Desp/Date	 The Catering Equipment Company			
Legacy P/N	Weight	51KG	Quote No.				
Client				SO Number	N/A		
Client Project				Approved By	Date	03/07/2023	