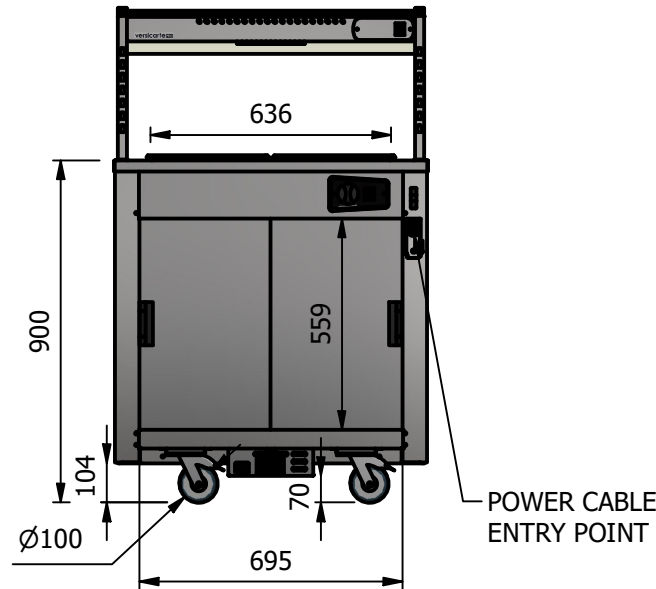
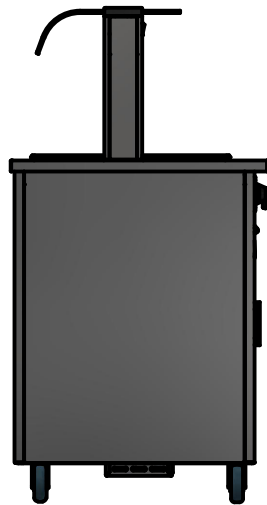
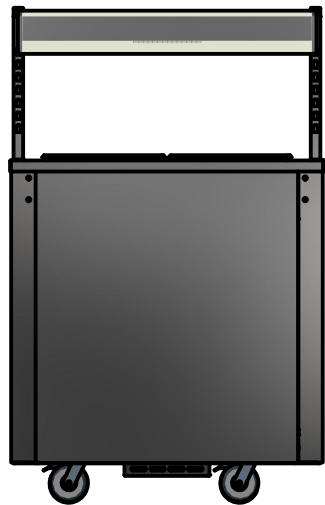
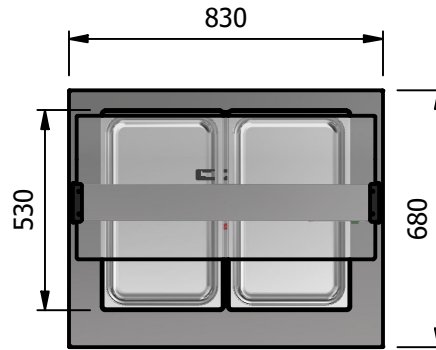


NOTE:- Serving height for children up to 12 years of age.  
 This model is available with a work top height of 800mm  
 and a Trayslide height of 773mm.  
 Please add "B" to the end of the product code.



**Moffat Specification**

Bainmarie well

Dry heat

The open top with raised lip is designed to hold Gastronorm pans and heats via a solid state element fitted internally below the pans, additional excess residual hot air from the hot cupboard is also used to maintain temperature which gives energy saving efficiency.

Dry Heat

Fan Assisted Hotcupboard

Dimensions

Width - 830mm  
 Depth - 680mm  
 Height - 900mm  
 Weight - 45kg



Sahara Fan Model SF309

Capacity of Bainmarie

Two GN1/1 pans up to 150mm deep

[Note:-pans are not supplied, available at extra cost]

Capacity of Hot Cupboard [usable inside space]

Width - 695mm  
 Depth - 555mm  
 Usable Height Bottom shelf - 204mm  
 Usable Height Top Shelf - 245mm

25 covers & meals [10" plated meals stacked using plate covers]  
 or  
 95 off 10" plates stacked for heating  
 or  
 4 off 1/1GN pans side by side 150mm deep 2 on top 2 on bottom

Power Rating

1.65kw with no gantry, 1.87Kw with heated gantry.  
 complete with a 2m long cord set & 13amp plug  
 Removable Fan heating System Sahara Fan Model SF309

Materials

1.2mm 304 Grade St/ Steel Top & Supports  
 0.7mm 430 Grade St/ Steel Internal Structure  
 GN 1/1 Grid Shelves with 30mm x 30mm tube supports

Installation

All swivel castors, two braked

ALL SHEET METAL DIMENSIONS ARE I/S (INSIDE SIZES) (UNLESS OTHERWISE STATED)

ALL DIMENSIONS IN (mm), TOLERANCE = LINEAR ± 0.5mm, ANGULAR ± 0.5mm (OR AS STATED). ALL SHARP EDGES TO BE REMOVED FROM SHEET METAL PARTS

Product	VERSICARTE			Product No	N/A			 The Catering Equipment Company	
Description	*** VC2BM ***								
Material/Finish	Thickness		Desp/Date				<small>No reproduction or publication of this drawing may be made, and no article may be manufactured or assembled in accordance with this drawing without prior written consent. This prohibition is a term of any contract relating to this drawing. Rights reserved under the Copyright Act 1956 as amended by the Design Copyright Act 1968.</small>		
Legacy P/N	Weight	45kg	Quote No.		Dwg No.	VCP-072245		Issue	
Client			SO Number	STANDARD	Drawn By	ABB	-		
Client Project			Approved By		Date	28/10/2019			
E & R MOFFAT LTD, SEABEGS ROAD, BONNYBRIDGE, FK4 2BS, T: +44 (0)1324 812272, E: sales@ermoffat.co.uk, Web: www.ermoffat.co.uk					Scale	1 : 20	Sheet	1 / 1	<b>A4</b>