

Moffat Specification

Dimensions

Width - 740mm
 Depth - 1308mm
 Height - 988mm (Serving area 943mm)
 Weight - 140kg

Power Rating Options

V2GGENG13 = 5.4kw 2 x 13amp 1ph
 V2GGENG32 = 5.4kw 1 x 32amp 1ph
 V2GGENG163 = 5.4kw 1 x 16amp 3ph
 V2GGENG323 = 5.4kw 1 x 32amp 3ph complete with a 2m long cord set & plug.

Materials

1.2mm 304 & 430 Grade St/ Steel Top & Supports.
 0.7 & 1.2mm 430 Grade St Steel Ancillary Parts.
 Plastic Coated Steel Front and Side panels.
 1.0mm Aluminium Inner Structure.
 Neo-Ceram Hot Top Area 1210mm x 590mm.
 Fully Insulated Compartment.

Mobility

Castors :- 2 Swivel Type With Brakes, 2 Fixed Direction.

Control

Digital cook time and temperature with automatic keep hot during service

Oven [2off]

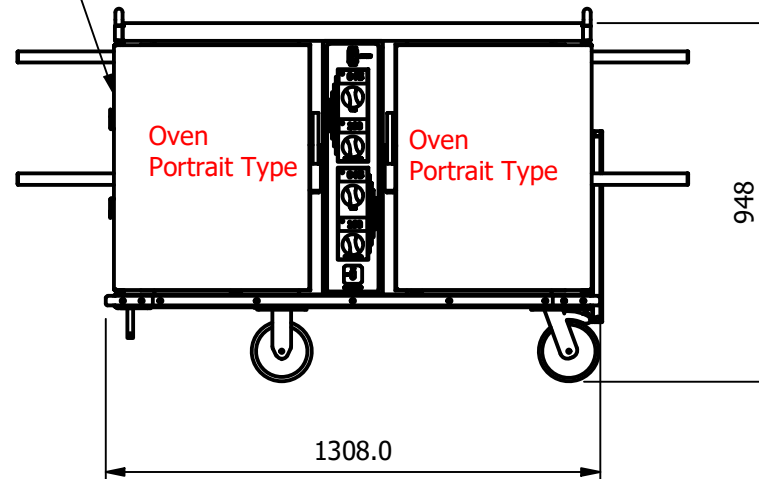
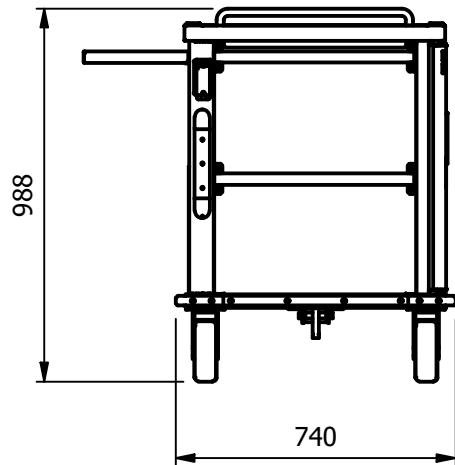
Capacity 98 liters
 8off Gn1/1 Grid shelf positions @ 71mm pitch

POWER CABLE ENTRY POINT

NeoCeram hot plate

Oven Portrait Type

Oven Portrait Type



ALL SHEET METAL DIMENSIONS ARE I/S (INSIDE SIZES) (UNLESS OTHERWISE STATED)

ALL DIMENSIONS IN (mm), TOLERANCE = LINEAR ± 0.5mm, ANGULAR ± 0.5mm (OR AS STATED). ALL SHARP EDGES TO BE REMOVED FROM SHEET METAL PARTS

Product	VGEN 2018		Product No					
Description	V2GGENG							
Material/Finish	Thickness		Desp/Date					
Legacy P/N	Weight	140kg	Quote No.	Dwg No.	112145-1	Issue		
Client			SO Number	N/A	Drawn By	ABB		
Client Project			Approved By		Date	04/02/2022		
E & R MOFFAT LTD, SEABEGS ROAD, BONNYBRIDGE, FK4 2BS, T: +44 (0)1324 812272, E: sales@ermoffat.co.uk, Web: www.ermoffat.co.uk				Scale	1 : 20	Sheet	1 / 2	A4

No reproduction or publication of this drawing may be made, and no article may be manufactured or assembled in accordance with this drawing without prior written consent. This prohibition is a term of any contract relating to this drawing. Rights reserved under the Copyright Act 1956 as amended by the Design Copyright Act 1968.