

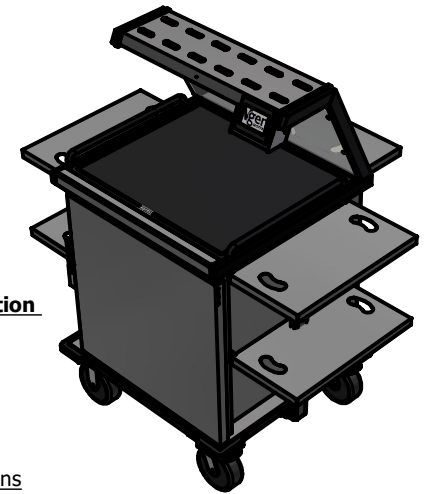
Optional Tray Slide - Code V1TS

Optional End Shelves Code - VES

Optional End Shelf With Waste Bag Operators Right hand - Code VWR

Optional End Shelf With Waste Bag Operators Left hand - Code VWL

Optional Tow Bar and Hitch
Code - VTB



Moffat Specification

Dimensions

Width - 740mm

Depth - 798mm

Height - 1338mm

Weight - 120kg

Power Rating options

V1G13 - 2.5 kW 13amp 1PH

V1G16 - 2.5 kW 16amp 1PH

V1G163 - 3.75 kW 16amp 3PH

V1G323 - 3.75 kW 32amp 3PH

complete with a 2m long cord set plug.

Materials

1.2mm 304 & 430 Grade St/ Steel Top & Supports.

0.7 & 1.2mm 430 Grade St Steel Ancillary Parts.

Plastic Coated Steel Front and Side panels.

1.0mm Aluminium Inner Structure.

6mm Perspex Full Front Screen.

Neo-Ceram Hot Top Area 700mm x 590mm.

LED Illumination.

Fully Insulated Compartment.

Mobility

Castors :- 2 Swivel Type With Brakes, 2 Fixed Direction.

Control

Fully Programmably For 24/7 Operation.

Three Set Meal Programmes With

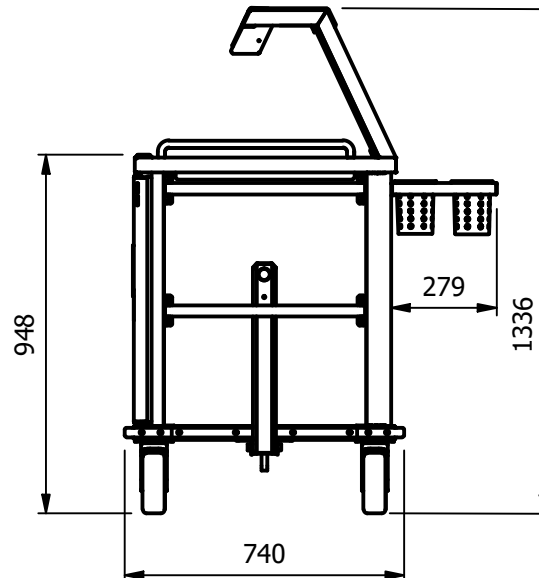
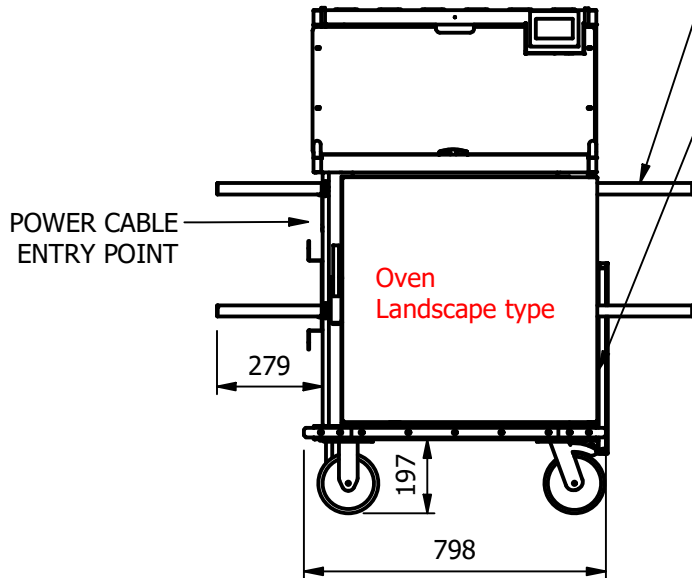
Boost, Hold, Pre heat, & Cleaning Functions.

Oven

Oven Compartment


Capacity 98lites

8off Gn1/1 Grid shelf positions @ 71mm pitch



ALL SHEET METAL DIMENSIONS ARE I/S (INSIDE SIZES) (UNLESS OTHERWISE STATED)

ALL DIMENSIONS IN (mm), TOLERANCE = LINEAR ± 0.5mm, ANGULAR ± 0.5mm (OR AS STATED). ALL SHARP EDGES TO BE REMOVED FROM SHEET METAL PARTS

Product	VGEN 2018			Product No		 The Catering Equipment Company
Description	VIG					
Material/Finish	Thickness		Desp/Date			<small>No reproduction or publication of this drawing may be made, and no article may be manufactured or assembled in accordance with this drawing without prior written consent. This prohibition is a term of any contract relating to this drawing. Rights reserved under the Copyright Act 1956 as amended by the Design Copyright Act 1968.</small>
Legacy P/N	Weight	120kg	Quote No.			
Client			SO Number	N/A	Drawn By	ABB
Client Project			Approved By		Date	18/06/2018
E & R MOFFAT LTD, SEABEGS ROAD, BONNYBRIDGE, FK4 2BS, T: +44 (0)1324 812272, E: sales@ermoffat.co.uk, Web: www.ermoffat.co.uk					Scale	1 : 20
					Sheet	1 / 4
						A4