

Moffat Specification

Dimensions
Width - 740mm
Depth - 798mm
Height - 987mm
Weight - 120kg

Power Rating Options
V1GENG13 - 2.7kW 13amp 1PH
V1GENG13 - 2.7kW 16amp 1PH
V1GENG13 - 2.7kW 16amp 3PH
V1GENG13 - 2.7kW 32amp 3PH
complete with a 2m long cord set & plug.

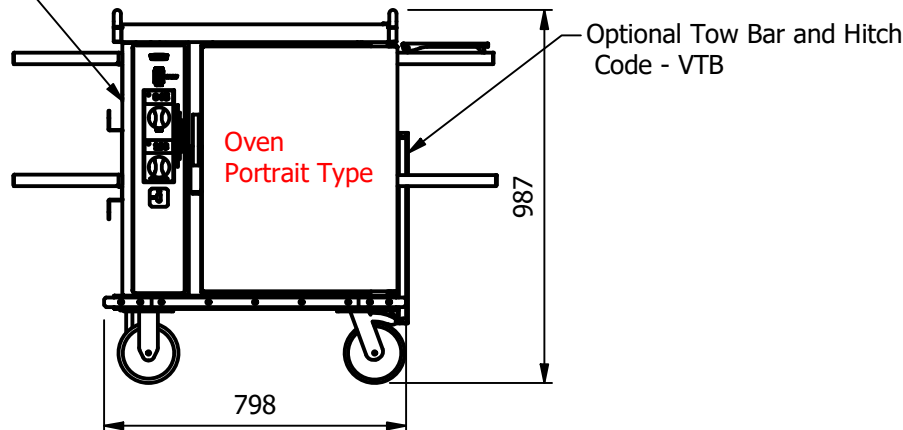
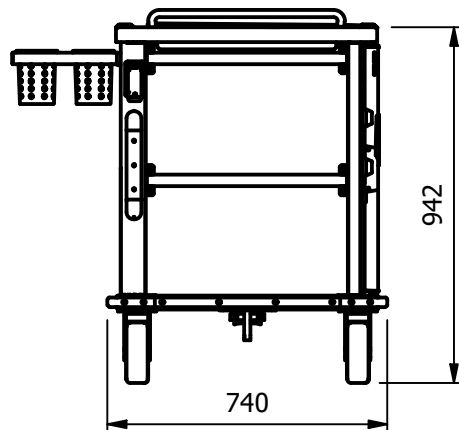
Materials
1.2mm 304 & 430 Grade St/ Steel Top & Supports.
0.7 & 1.2mm 430 Grade St Steel Ancillary Parts.
Plastic Coated Steel Front and Side panels.
Neo-Ceram Hot Top Area 700mm x 590mm.
Fully Insulated Compartment.

Mobility
Castors :- 2 Swivel Type With Brakes, 2 Fixed Direction.

Control
Digital cook time and temperature
with automatic keep hot during service

Oven
Oven Compartment
Capacity 98litres
8off Gn1/1 Grid shelf positions @ 71mm pitch

POWER CABLE
ENTRY POINT



ALL SHEET METAL DIMENSIONS ARE I/S (INSIDE SIZES) (UNLESS OTHERWISE STATED)

ALL DIMENSIONS IN (mm), TOLERANCE = LINEAR ± 0.5mm, ANGULAR ± 0.5mm (OR AS STATED). ALL SHARP EDGES TO BE REMOVED FROM SHEET METAL PARTS

Product	VGEN 2018			Product No			
Description	V1GENG			<small>© No reproduction or publication of this drawing may be made, and no article may be manufactured or assembled in accordance with this drawing without prior written consent. This prohibition is a term of any contract relating to this drawing. Rights reserved under the Copyright Act 1956 as amended by the Design Copyright Act 1968.</small>			
Material/Finish	Thickness		Desp/Date				
Legacy P/N	Weight	120kg	Quote No.				
Client			SO Number	N/A	MD No.	156201-1	Issue
Client Project			Approved By		Drawn By	ABB	-
E & R MOFFAT LTD, SEABEGS ROAD, BONNYBRIDGE, FK4 2BS, T: +44 (0)1324 812272, E: sales@ermoffat.co.uk, Web: www.ermoffat.co.uk					Date	11/09/2024	
					Scale	1 : 20	Sheet
							1 / 3
							A4