

## Overview

Mobile pop up crockery dispensers.

Designed for the storage and dispensing of any size or shape of plate or bowl, oval, square or designer shaped that can fit within a 305mm (12") square. With a maximum capacity of around 75 plates per tube.

The dispensers have a variable spring system to accommodate different weights of plates. Lift off top plate and the next one automatically moves up into position. Complete with Stainless steel covers.



## Key Features:

- Ideal for oval or square plates or multi stacks of smaller bowls
- Simplistic easy adjustable spring system allows repeated pop up plate presentation
- Interior finished in clinical bright polished stainless steel.
- Capacity approximately 75 plates per tube depending on type, profile and thickness
- Supplied with stainless steel lids
- Simplistic easy adjustable springs allows repeated pop up plate presentation.
- Exterior panels in durable plastic coated steel
- Robust corner bumpers



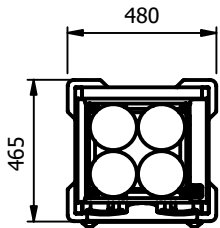
These units feature the Moffat pop-up plate system with multi-spring, adjustable, floating platform



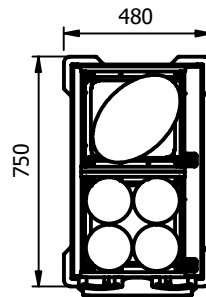
Model	Weight (kg)	L x W x H (mm)
UAD1	26	480 x 465 x 900
UAD2	42	480 x 750 x 900

Capacity

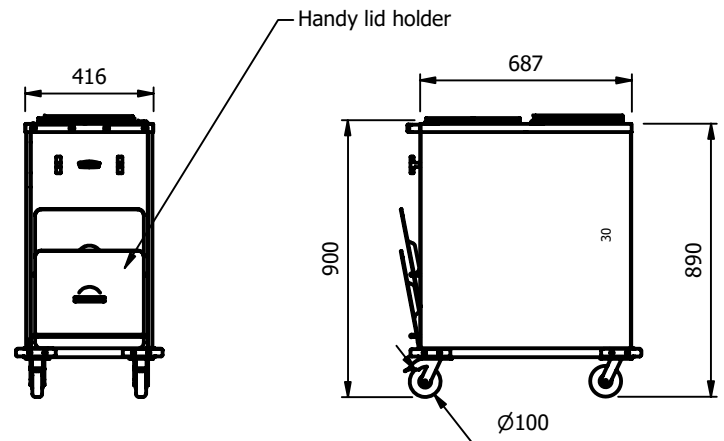
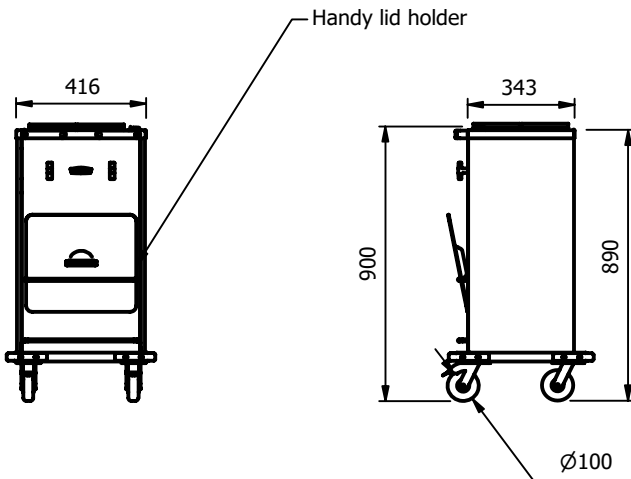
Model	Number of dispensing tubes	Number of plates approximately	Plate Diameter (mm)
UAD1	1	75	305
UAD2	2	150	305



UAD1



UAD2



E&R Moffat Ltd.  
Bonnybridge  
FK4 2BS  
Scotland

Find us on:



www.ermoffat.co.uk  
+44 (0) 1324 812272  
sales@ermoffat.co.uk