

## Overview

The Moffat 3 Tier Cutlery Trolley, an ideal solution for schools. With 12 spacious compartments, this unit minimizes the need for frequent refills, saving you time and effort. In busy school dining halls, where lunchtime is a significant event that requires efficiency, this trolley creates a stress-free and streamlined environment. Not only does it offer ample storage space, but it is also equipped with castors for easy mobility. When it's time for a refill, you can quickly and efficiently move the trolley between different areas. Once in place, you can securely lock the castors to keep the trolley stable. Designed to match the Moffat Clearing Station with a sleek and attractive appearance, this unit seamlessly blends into any existing decor. Additionally, it is easy to wipe clean, ensuring hygiene and keeping your resources clean and safe for the students and children.



## Key Features:

- High capacity
- Low maintenance, easy cleaned and highly efficient.
- Lift out cutlery holders for easy cleaning
- Low level option ideal for children up to 12 years
- Mobile all swivel castors two with brakes.

## Note:

A low height model is available set at 800mm high. Ideal for children up to 12 years. The low height model has a "B" added to the model code.

## Options:

- Wide choice of coloured outer panels (Durable plastic coated steel).

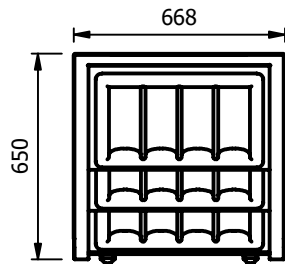


Reuse stainless steel cutlery and reduce plastic waste.

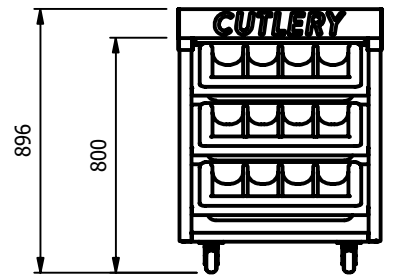
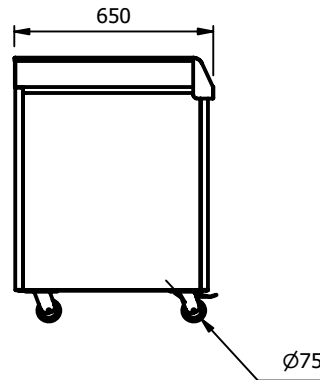
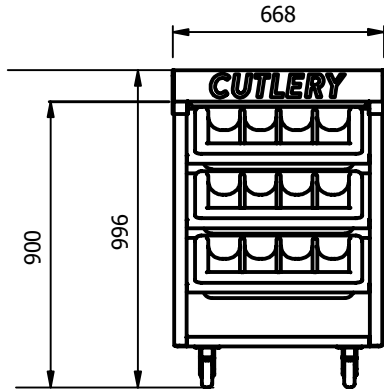
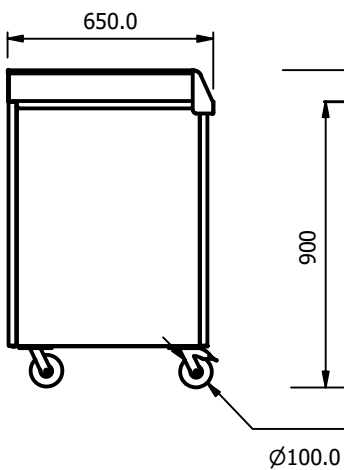
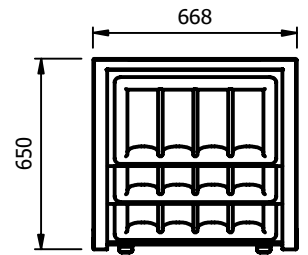


Model	Weight (kg)	L x W x H (mm)
VCCX	35	668 x 650 x 996
VCCXB	30	668 x 650 x 896

Model VCCS



Model VCCSB



*This cutlery storage solution promotes independence and helps children develop a routine by providing them with a designated place to easily locate the utensils they need.*

