

Moffat Specification

Fully Insulated Compartment.
6 shelf positions @ 80mm pitch
to suit Gastronorm pans or shelves

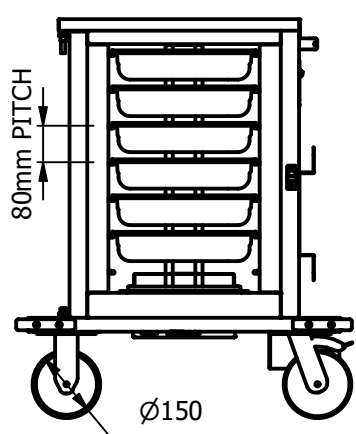
Gastronorm tray = 530mm x 325mm
[maximum tray space 540mm x 333mm]

Capacity (usable space)
97 Litres

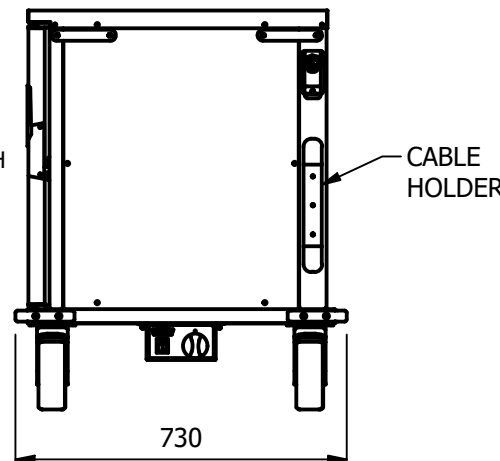
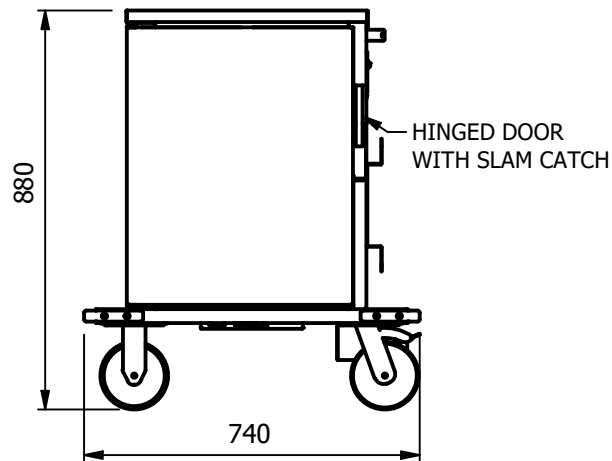
Dimensions
Width - 740mm
Depth - 730mm
Height - 880mm
Weight - 70kg

Materials
1.2mm 430 Grade St/Steel Chassis Top & Supports.
0.7 & 1.2mm 430 Grade St Steel Ancillary Parts.
0.7mm 430 Grade St/Steel Outer Panels

Mobility
Castors :- 2 Swivel Type With Brakes, 2 Fixed Direction.



INTERIOR SHOWN WITH DOOR OPEN



ALL SHEET METAL DIMENSIONS ARE I/S (INSIDE SIZES) (UNLESS OTHERWISE STATED)

ALL DIMENSIONS IN (mm), TOLERANCE = LINEAR ± 0.5mm, ANGULAR ± 0.5mm (OR AS STATED). ALL SHARP EDGES TO BE REMOVED FROM SHEET METAL PARTS

Product	PAN FILE			Product No	 The Catering Equipment Company	
Description	*** PF6 ***					
Material/Finish	Thickness		Desp/Date		<small>No reproduction or publication of this drawing may be made, and no article may be manufactured or assembled in accordance with this drawing without prior written consent. This prohibition is a term of any contract relating to this drawing. Rights reserved under the Copyright Act 1956 as amended by the Design Copyright Act 1968.</small>	
Legacy P/N	Weight	70kg	Quote No.	Dwg No.		VGEN-091851
Client			SO Number	STANDARD	Issue	-
Client Project			Approved By		Drawn By	NR
E & R MOFFAT LTD, SEABEGS ROAD, BONNYBRIDGE, FK4 2BS, T: +44 (0)1324 812272, E: sales@ermoffat.co.uk, Web: www.ermoffat.co.uk					Date	20/05/2021
					Scale	.06
					Sheet	2 / 2
						A4