

Overview

A high capacity unit designed specifically for holding hot food, ideal for displaying pies and pastries. The stylish, and compact design with optional coloured end panels makes for an attractive display where space is at a premium. Great for high demand outlets like sports stadiums and concert venues, or in any fast food outlet, café or canteen where a fast turnover in a short space of time is required. Featuring a pull out crumb tray with a built in humidity feature which helps prevent food from drying out, allowing food to be held in optimum condition for longer periods. Thermostatically controlled up to 110°C, the cabinet's robust stainless steel construction means it's both hygienic and easy to clean with four adjustable for height wired shelves which are easily removed. This electric heated pie cabinet can easily accommodate 200 freshly baked pies stacked or 100 pies not stacked depending in size. Accessible through sliding doors on both sides at any time during service. Complete with internal illumination for increase food display.



Features:

- Sliding doors allow access from both sides. [Great for a pass through counter system]
- Stylish compact design.
- Designed for display where space is at a premium.
- Thermostatic control up to 110°C.
- Robust stainless steel construction.
- Hygienic and easy to clean.
- Four perforated stainless steel shelves adjustable for height in 30mm increments.
- Removable shelf supports for effortless cleaning.
- Removable crumb tray.
- Integral humidity feature.
- Supplied with 2m long power cord and 13amp plug [13A 230v 50Hz].



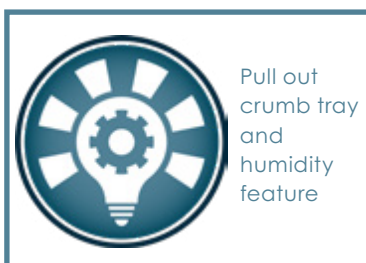
Options:

- End panel colour choice [Standard colour is bright polished stainless steel]

COLOUR CHART

OPTIONAL COLOURS
(*SUBJECT TO ADDITIONAL CHARGE)

	RAL CODE	BS CODE	
	STAINLESS STEEL	N/A	N/A
	BLACK	9005	00E53
	MERLIN GREY	1804005	18B25
	GOOSEWING GREY	7038	10A05
	WEDGEWOOD BLUE	2205015	18C37
	REGATTA BLUE	2604040	18E53
	OCEAN BLUE	5001	18C39
	NAVY BLUE	5003	N/A
	FOREST GREEN	6002	N/A
	AZTEC YELLOW	N/A	10E55
	WHITE	9003	00E55
	BUTTERMILK	1015	10C31
	BAMBOO	N/A	08C35
	TERRACOTTA	8004	04C39
	VANDYKE BROWN	8014	08B29
	POPPY RED	2002	04E53
	MAHOGANY*	N/A	N/A
	ACADEMY MAPLE*	N/A	N/A
	LAMPRE BEECH*	N/A	N/A

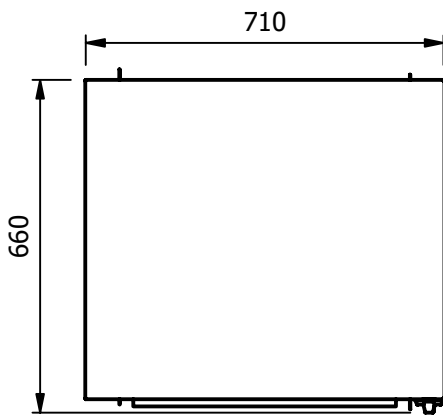


PC2



Model	Weight (kg)	L x D x H (mm)	Electrical Supply	Power Rating (kw)
PC2	40	710 x 660 x 560	13amp	1.5

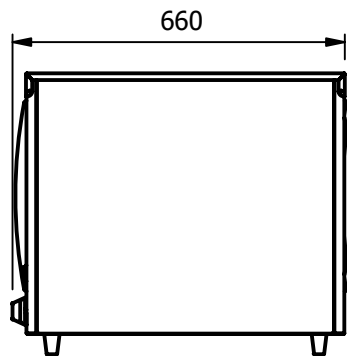
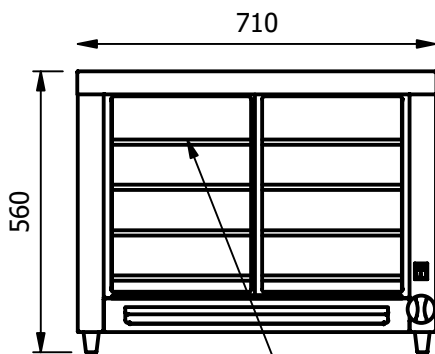
Pass through design.
Sliding doors on both sides.



Cabinet Capacity: 126 litres

Shelf dimensions
607mm x 580mm
With 80mm clear height on a standard set up

Accommodates 100 pies 25 on each shelf,
or 200 pies two layers of 25 on each shelf.



Removable and Adjustable shelving

