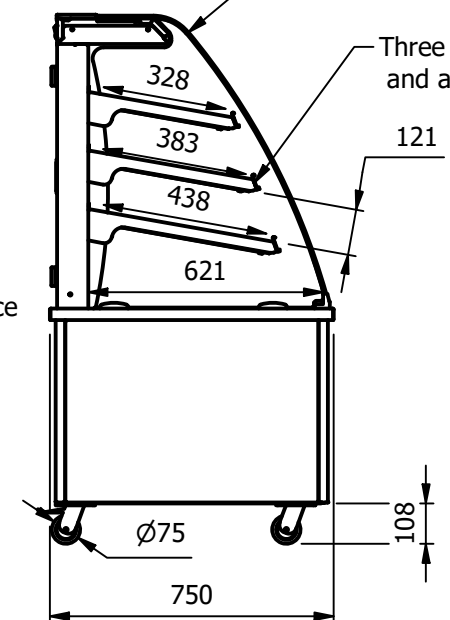


Rear glazed hinged doors

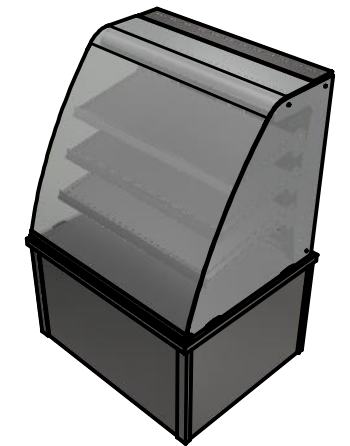
Curved front glass is mounted on a bottom tilt hinge for easy cleaning.

Three heated shelves and a neutral bottom deck



Storage space

Power cable



**Moffat Specification**

Dimensions

Width - 900mm  
 Depth - 750mm  
 Height - 1400mm  
 Weight - 105kg

Capacity

3 heated shelves & a Non heated bottom deck  
 Usable heated shelf space = 0.123m3 or 123 liters  
 Usable neutral deck = 0.064m3 or 64 liters

Power Rating

1.7kw  
 complete with a 2m long cord set & 13amp plug

Materials

0.7mm 430 Grade St/Steel inner panels  
 1.2mm 304 Grade St/ Steel structure  
 1.2mm 430 Grade St Steel Ancillary Parts  
 6mm thick Tempered Glass  
 LED Illumination

Installation

Mobile with all swivel castors two braked

ALL SHEET METAL DIMENSIONS ARE I/S (INSIDE SIZES) (UNLESS OTHERWISE STATED)

ALL DIMENSIONS IN (mm), TOLERANCE = LINEAR ± 0.5mm, ANGULAR ± 0.5mm (OR AS STATED). ALL SHARP EDGES TO BE REMOVED FROM SHEET METAL PARTS

Product	PATISSERIE RANGE			Product No		<p>The Catering Equipment Company</p>	<small>No reproduction or publication of this drawing may be made, and no article may be manufactured or assembled in accordance with this drawing without prior written consent. This prohibition is a term of any contract relating to this drawing. Rights reserved under the Copyright Act 1956 as amended by the Design Copyright Act 1968.</small>		
Description	*** PAT2H ***			Desp/Date			Dwg No. CTRA-082769-1 Issue -		
Material/Finish	Thickness			Quote No.					
Legacy P/N	Weight	105kg		SO Number	STANDARD	Drawn By ABB Date 10/11/2020	Scale 1 : 20 Sheet 1 / 2 <b>A4</b>		
Client				Approved By					
Client Project									