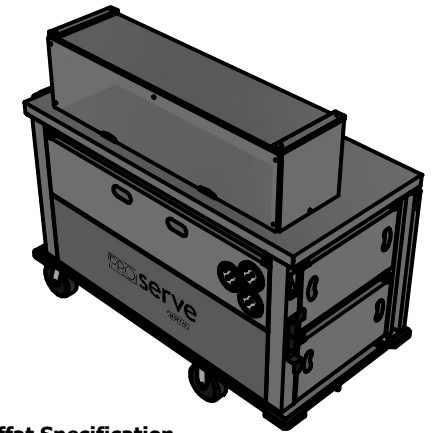


P2HRG
Power loading 1.96kw
Supply cord 1 x 13amp



Moffat Specification

Dimensions
Width - 740mm
length - 1478mm
Height - 1282mm
Weight - 173kg

Power Rating
1.96 kw
complete with a 2m long cord set & 13amp plug.

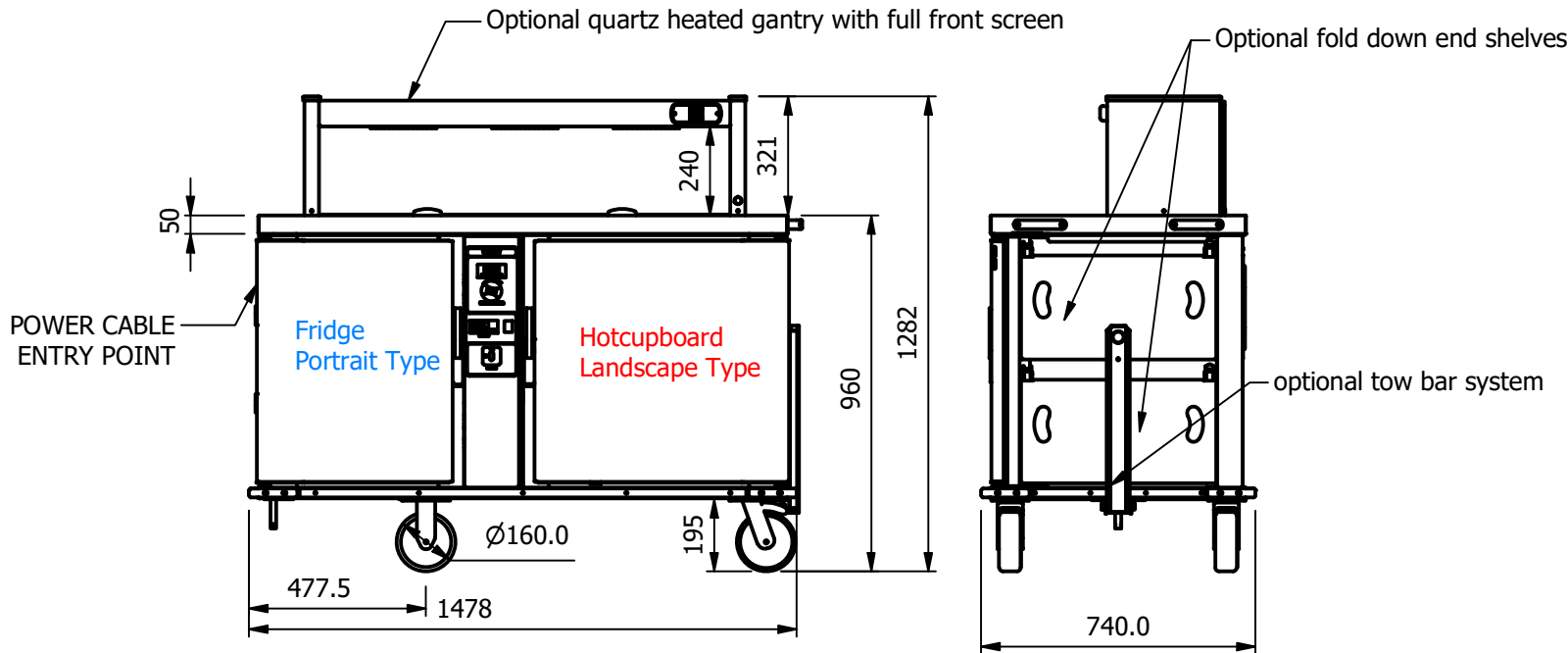
Materials
1.2mm 304 & 430 Grade St/ Steel Top & Supports.
0.7 & 1.2mm 430 Grade St Steel Ancillary Parts.
Plastic Coated Steel Front and Side panels.
Fully Insulated Compartment.

Mobility
Castors :- 2 Swivel Type With Brakes, 2 Fixed Direction.

Control
Rotary knob with digital display

Hotcupboard
Capacity 113litres
8off Gn1/1 Grid shelf positions @ 71mm pitch

Fridge
Capacity 113litres
8off Gn1/1 Grid shelf positions @ 71mm pitch



ALL SHEET METAL DIMENSIONS ARE I/S (INSIDE SIZES) (UNLESS OTHERWISE STATED)

ALL DIMENSIONS IN (mm), TOLERANCE = LINEAR ± 0.5mm, ANGULAR ± 0.5mm (OR AS STATED). ALL SHARP EDGES TO BE REMOVED FROM SHEET METAL PARTS

| | | | | | | | | | | |
|---|---------------|-------|--|-------------|-----|--|----------|------------|-------|-------|
| Product | TROLLEYS | | | Product No | | | | | | |
| Description | ### P2HRG ### | | | | | | | | | |
| Material/Finish | Thickness | | | Desp/Date | | | | | | |
| Legacy P/N | Weight | 173kg | | Quote No. | | | | | | |
| Client | | | | SO Number | N/A | | Dwg No. | VAR-169717 | Issue | |
| Client Project | | | | Approved By | | | Drawn By | ABB | - | |
| E & R MOFFAT LTD, SEABEGS ROAD, BONNYBRIDGE, FK4 2BS, T: +44 (0)1324 812272, E: sales@ermoffat.co.uk, Web: www.ermoffat.co.uk | | | | | | | Date | 18/11/2025 | | |
| | | | | | | | Scale | 1 : 20 | Sheet | 1 / 4 |
| | | | | | | | | | A4 | |

No reproduction or publication of this drawing may be made, and no article may be manufactured or assembled in accordance with this drawing without prior written consent. This prohibition is a term of any contract relating to this drawing. Rights reserved under the Copyright Act 1956 as amended by the Design Copyright Act 1968.

