

P2HRB
 Power loading 1.69kw
 Supply cord 1 x 13amp

Moffat Specification

Dimensions

Width - 740mm
 Length - 1478mm
 Height - 1046mm
 Weight - 175kg

Power Rating

1.69 kw.
 complete with a 2m long cord set & 13amp plug.

Materials

1.2mm 304 & 430 Grade St/ Steel Top & Supports.
 0.7 & 1.2mm 430 Grade St Steel Ancillary Parts.
 Plastic Coated Steel Front and Side panels.
 Fully Insulated Compartment.

Mobility

Castors :- 2 Swivel Type With Brakes, 2 Fixed Direction.

Control

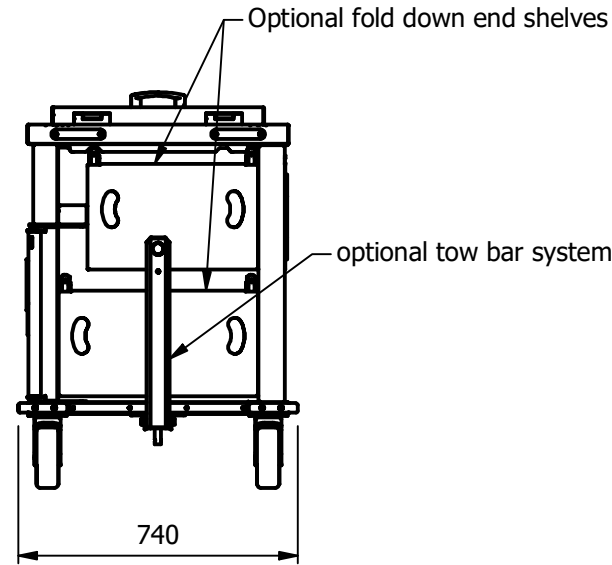
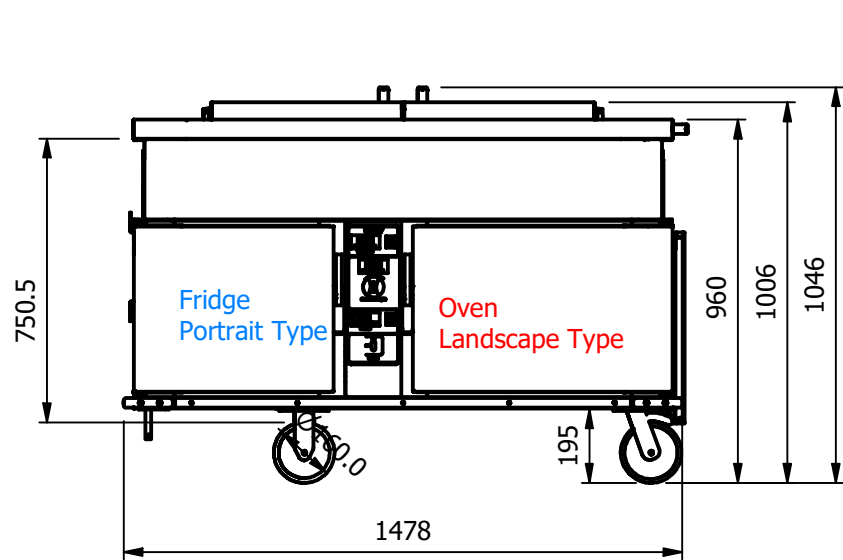
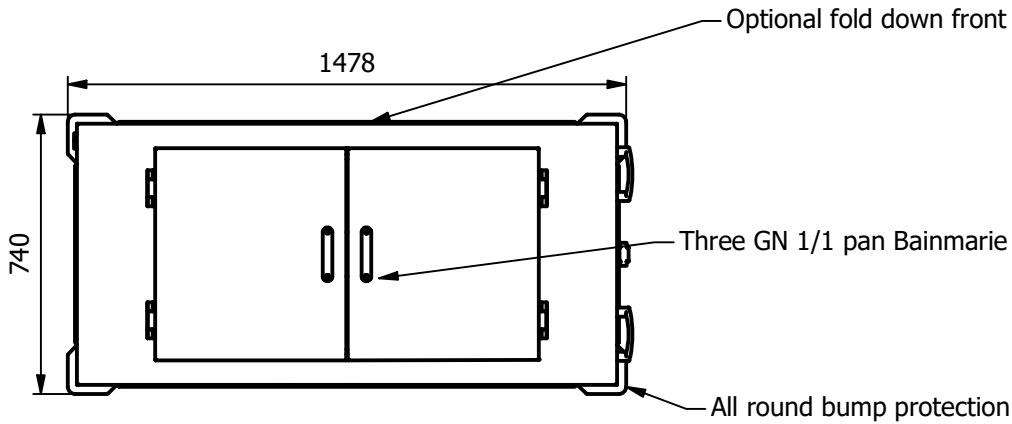
Rotary knob with digital display

Hotcupboard

Capacity 75 liters 0.075m3
 5off Gn1/1 Grid shelf positions @ 71mm pitch

Fridge

Capacity 75 liters 0.075m3
 5off Gn1/1 Grid shelf positions @ 71mm pitch



ALL SHEET METAL DIMENSIONS ARE I/S (INSIDE SIZES) (UNLESS OTHERWISE STATED)

ALL DIMENSIONS IN (mm), TOLERANCE = LINEAR ± 0.5mm, ANGULAR ± 0.5mm (OR AS STATED). ALL SHARP EDGES TO BE REMOVED FROM SHEET METAL PARTS

Product	TROLLEYS			Product No			
Description	### P2HRB ###						
Material/Finish	Thickness			Desp/Date			
Legacy P/N	Weight	175kg		Quote No.			
Client				SO Number	N/A		Dwg No. VAR-103296 Issue
Client Project				Approved By			
E & R MOFFAT LTD, SEABEGS ROAD, BONNYBRIDGE, FK4 2BS, T: +44 (0)1324 812272, E: sales@ermoffat.co.uk, Web: www.ermoffat.co.uk				Scale	1 : 20	Sheet	1 / 4

No reproduction or publication of this drawing may be made, and no article may be manufactured or assembled in accordance with this drawing without prior written consent. This prohibition is a term of any contract relating to this drawing. Rights reserved under the Copyright Act 1956 as amended by the Design Copyright Act 1968.

