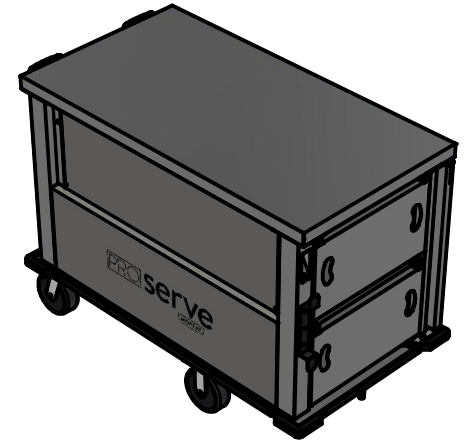


P2HH
 Power loading 1.80kw
 Supply cord 1 x 13amp



Moffat Specification

Dimensions
 Width - 740mm
 Length - 1330mm
 Height - 960mm
 Weight - 151kg

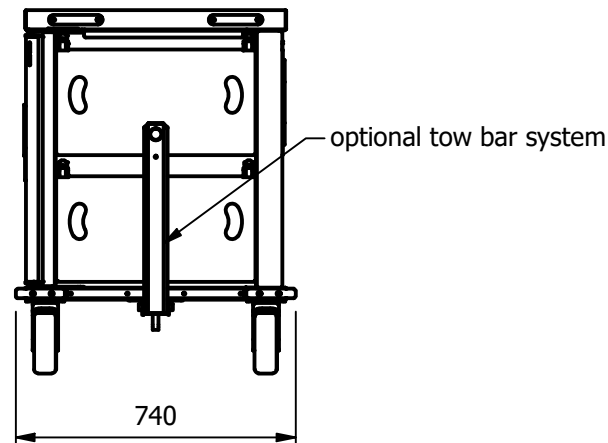
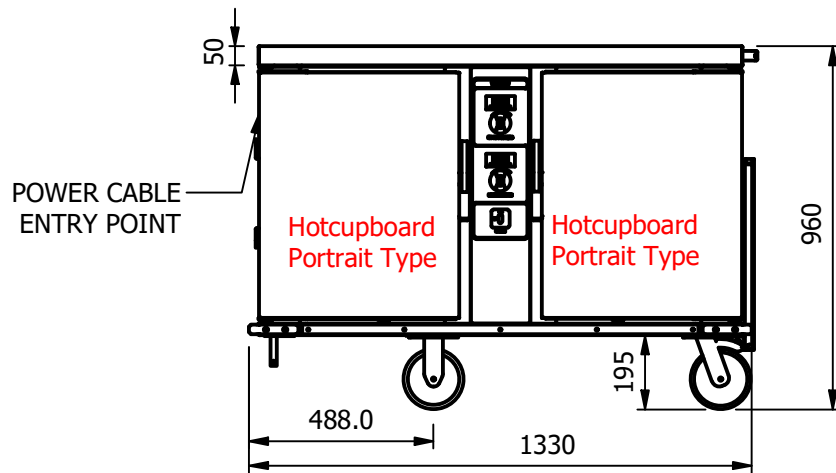
Power Rating
 1.80 kw.
 complete with a 2m long cord set & 13amp plug.

Materials
 1.2mm 304 & 430 Grade St/ Steel Top & Supports.
 0.7 & 1.2mm 430 Grade St Steel Ancillary Parts.
 Plastic Coated Steel Front and Side panels.
 Fully Insulated Compartment.

Mobility
 Castors :- 2 Swivel Type With Brakes, 2 Fixed Direction.

Control
 Rotary knob with digital display

Hotcupboard [2off]
 Capacity 2 x 113 liters 0.113m3
 8off Gn1/1 Grid shelf positions @ 71mm pitch



ALL SHEET METAL DIMENSIONS ARE I/S (INSIDE SIZES) (UNLESS OTHERWISE STATED)

ALL DIMENSIONS IN (mm), TOLERANCE = LINEAR ± 0.5mm, ANGULAR ± 0.5mm (OR AS STATED). ALL SHARP EDGES TO BE REMOVED FROM SHEET METAL PARTS

Product	TROLLEYS			Product No		<p>The Catering Equipment Company</p>	<small>No reproduction or publication of this drawing may be made, and no article may be manufactured or assembled in accordance with this drawing without prior written consent. This prohibition is a term of any contract relating to this drawing. Rights reserved under the Copyright Act 1956 as amended by the Design Copyright Act 1968.</small>		
Description	### P2HH ###						Dwg No.	VAR-102553	Issue
Material/Finish	Thickness			Desp/Date			Drawn By	ABB	-
Legacy P/N	Weight	151		Quote No.		Date	17/11/2025		
Client				SO Number	N/A	Scale	1 : 25	Sheet	
Client Project				Approved By				1 / 4	
E & R MOFFAT LTD, SEABEGS ROAD, BONNYBRIDGE, FK4 2BS, T: +44 (0)1324 812272, E: sales@ermoffat.co.uk, Web: www.ermoffat.co.uk								A4	