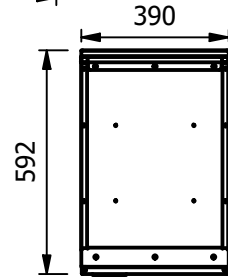
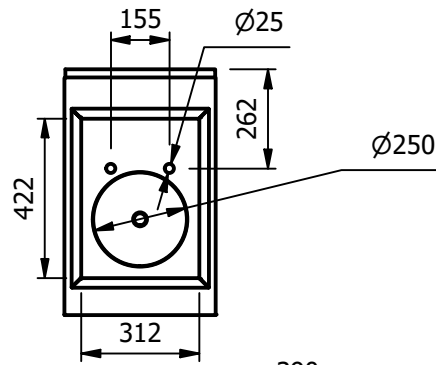
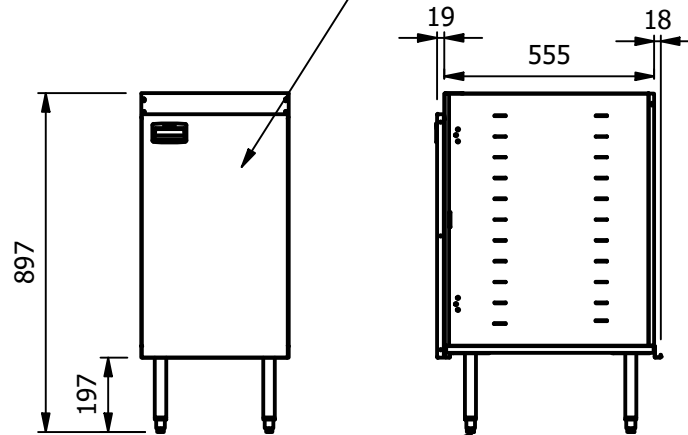


View with a standard sink top with rear up-stand and 70mm rear void

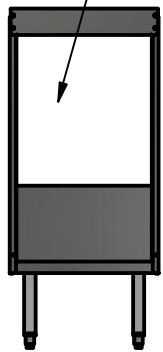


Hinged door with soft closing hinges



Adjustable for height legs

Open back for plumbing access



Moffat Specification

Floor standing wash hand basin.

Dimensions

Width - 390mm / 400mm with top
 Depth - 592mm / 650mm with top
 Height - 897mm / 900mm with Top
 Weight -20kg

Sink

Top inset with a one piece anti drip edge all round.
 Bowl - 250mm diameter x 125mm deep [capacity 16 litres]
 Waste - Plug and chain with over flow.
 Tap holes - 2 x 25mm diameter at 155mm centers.

Materials

0.7mm & 1.2mm 430 Grade St/ Steel Structure
 1.2mm 304 Grade St/ Steel Sink top

Installation

Floor Standing with adjustable height legs

ALL SHEET METAL DIMENSIONS ARE I/S (INSIDE SIZES) (UNLESS OTHERWISE STATED)

ALL DIMENSIONS IN (mm), TOLERANCE = LINEAR ± 0.5mm, ANGULAR ± 0.5mm (OR AS STATED). ALL SHARP EDGES TO BE REMOVED FROM SHEET METAL PARTS

Product	COUNTERS			Product No			
Description	MWHBR						
Material/Finish	Thickness			Desp/Date			
Legacy P/N	Weight	20kg		Quote No.			
Client				SO Number	STD		-
Client Project				Approved By			
E & R MOFFAT LTD, SEABEGS ROAD, BONNYBRIDGE, FK4 2BS, T: +44 (0)1324 812272, E: sales@ermoffat.co.uk, Web: www.ermoffat.co.uk				Dwg No.	UMA-072500		Issue
				Drawn By	N.Raymen		-
				Date	05/05/2020		
				Scale	1 : 20		Sheet
						1 / 2	A4

No reproduction or publication of this drawing may be made, and no article may be manufactured or assembled in accordance with this drawing without prior written consent. This prohibition is a term of any contract relating to this drawing. Rights reserved under the Copyright Act 1956 as amended by the Design Copyright Act 1968.

