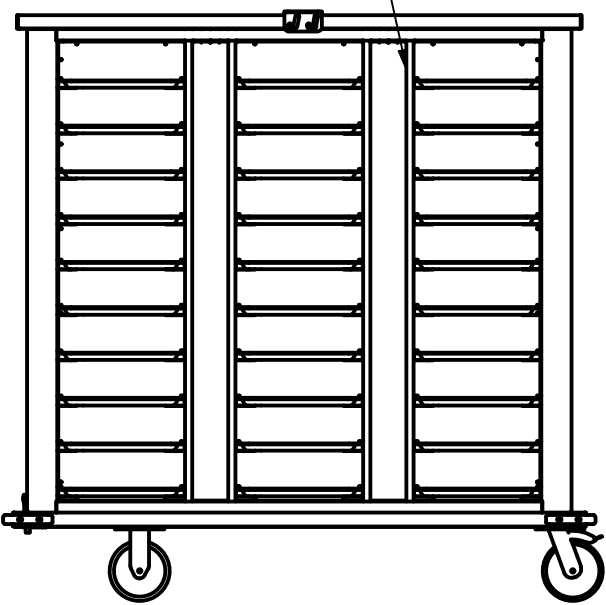
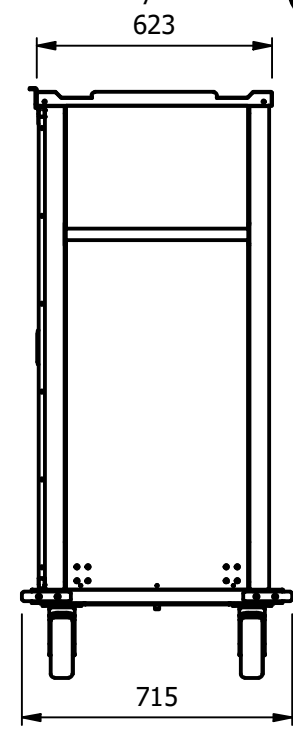
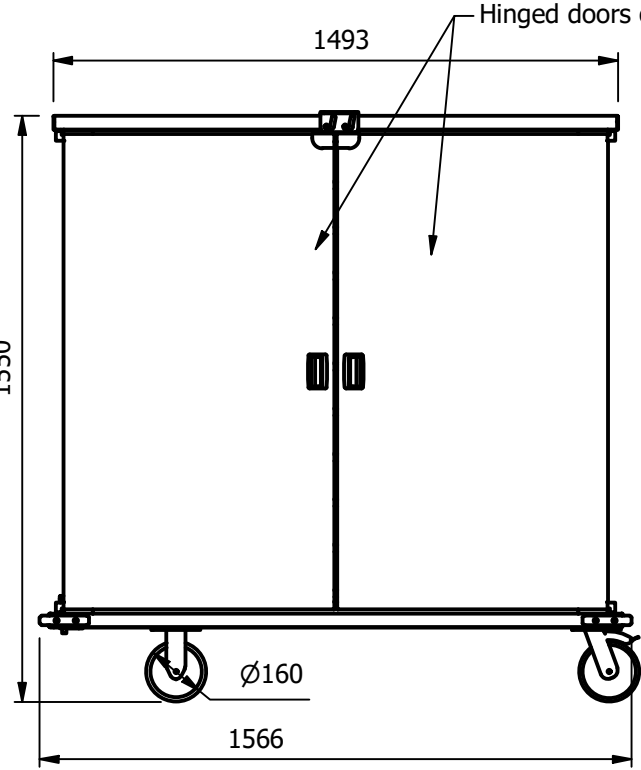


CENTER RUNNER SECTION
ADJUSTABLE TO SUIT
GASTRONORM TRAYS
OR EURONORM TRAYS



(GASTRONORM TRAY = 530mm x 325mm)
(EURONORM TRAY = 530mm x 370mm)



Moffat Specification

Fully Insulated Compartment.
30off shelf positions @ 120mm pitch

Adjustable to suit Gastronorm or Euronorm type trays.

Gastronorm tray = 530mm x 325mm
[maximum tray space 560mm x 335mm]


Euronorm tray = 530mm x 370mm
[maximum tray space 560mm x 380mm]

Dimensions
Width - 1566mm
Depth - 715mm
Height - 1550mm
Weight - 165kg

Materials
1.2mm 430 Grade St/ Steel Chassis Top & Supports.
0.7 & 1.2mm 430 Grade St Steel Ancillary Parts.
Plastic Coated Steel Front Side and door panels.

Mobility
Castors :- 2 Swivel Type With Brakes, 2 Fixed Direction.

ALL SHEET METAL DIMENSIONS ARE I/S (INSIDE SIZES) (UNLESS OTHERWISE STATED) ALL DIMENSIONS IN (mm), TOLERANCE = LINEAR ± 0.5mm, ANGULAR ± 0.5mm (OR AS STATED). ALL SHARP EDGES TO BE REMOVED FROM SHEET METAL PARTS

Product	TROLLEYS			Product No		 The Catering Equipment Company
Description	MTT30					
Material/Finish	Thickness		Desp/Date			
Legacy P/N	Weight	165kg	Quote No.		Dwg No.	VCP-075888
Client			SO Number	*STANDARD*	Drawn By	nraymen
Client Project			Approved By		Date	07/09/2019