

## Overview

Tray transport trolleys for storing meal components on Gastronorm or Euronorm trays. These robust trolleys are fully insulated, have a bright polished stainless steel interior and plastic coated outer panels. The standard outer panel colour is goose wing grey, with other colour choices available on request. Featuring recessed push pull handle bars on both sides and double-wing doors that can be opened 270°, doors lock via a transport "J" clip latch. The interior is split into three for easy cleaning, with removable support ledge frames with L-shaped angles, adjustable for 24GN or 24EN standard trays in a portrait configuration. Suitable for hooking up to a delivery transport system with the optional tow bar. Additionally the chassis design allows for a specified automatic trolley transport option. Complete with corner buffers and fitted with four heavy duty castors two fixed and two all swivel with brakes.



## Features:

- Hinged doors open 270°.
- Fully insulated
- Simplistic J clip hold doors closed during transport.
- Inset push pull handle bars to both ends.
- Drain hole in base to compliment cleaning.
- Stainless steel runners with anti-tilt channel.
- Removable support racks allow easy cleaning access.
- Recessed top for conveying additional boxed items.
- 160mm smooth running rubber type wheels.
- Two fixed castors, two all swivel with brakes.
- Adjustable design allows the internal racks to accommodate either Gastronorm 1/1 or Euronorm trays.
- Heavy duty corner buffers.

## Options:

- Trays
- Tow bar
- I/D card holder
- Coloured outer panels

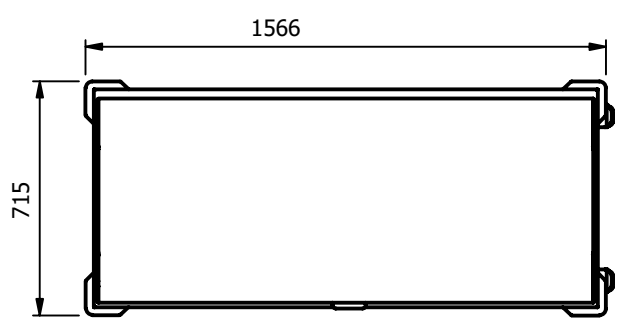


MTT24

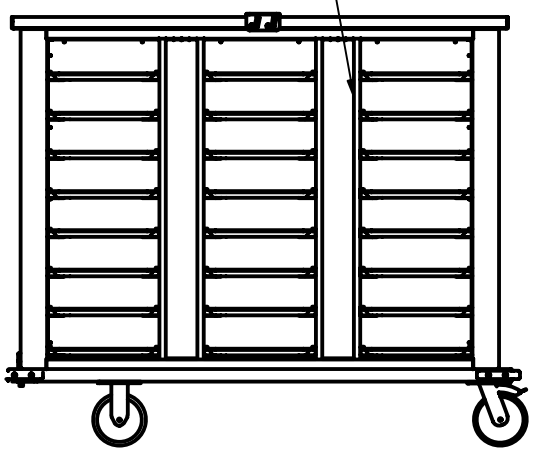


Model	Weight (kg)	L x D x H (mm)	Shelf Pitch (mm)	Maximum Tray Space (mm)
MTT24	145	1566 x 715 x 1310	120	GN = 560 x 335 EN = 560 x 380

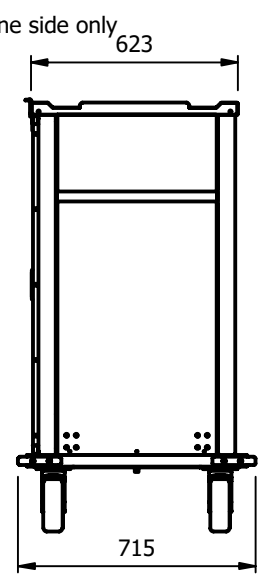
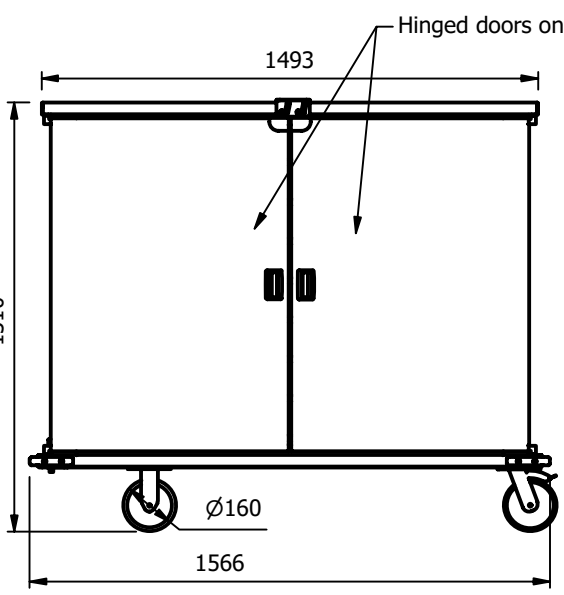
Standard Gastronorm Tray dimensions are 530 x 325  
Standard Euronorm Tray dimensions are 530 x 370



CENTER RUNNER SECTION  
ADJUSTABLE TO SUIT  
GASTRONORM TRAYS  
OR EURONORM TRAYS



(GASTRONORM TRAY = 530mm x 325mm)  
(EURONORM TRAY = 530mm x 370mm)



E&R Moffat Ltd.  
Bonnybridge  
FK4 2BS  
Scotland

Find us on:



www.ermoffat.co.uk  
+44 (0) 1324 812272  
sales@ermoffat.co.uk