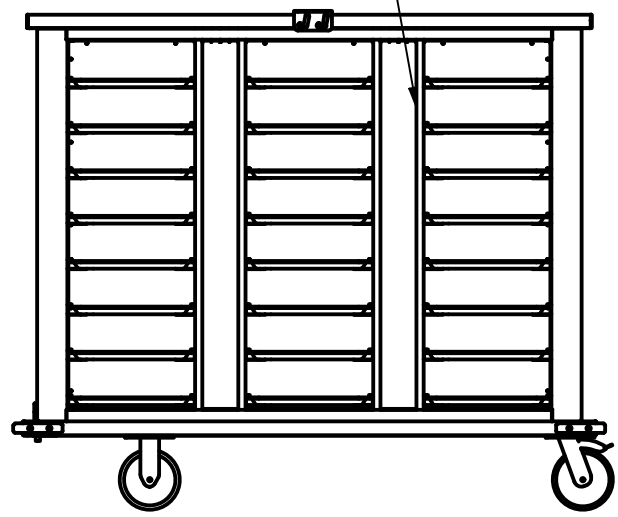
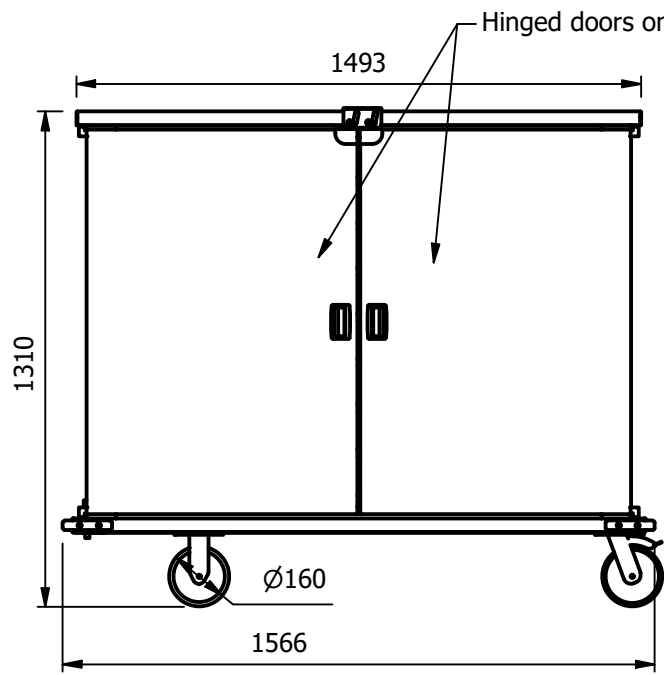


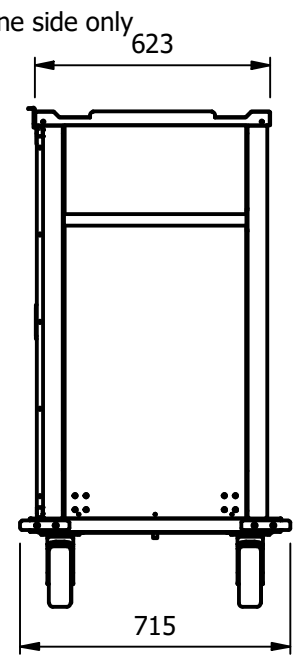
CENTER RUNNER SECTION
ADJUSTABLE TO SUIT
GASTRONORM TRAYS
OR EURONORM TRAYS



(GASTRONORM TRAY = 530mm x 325mm)
(EURONORM TRAY = 530mm x 370mm)



Hinged doors on one side only



Moffat Specification

- Fully Insulated Compartment.
- 24off shelf positions @ 120mm pitch
- Adjustable to suit Gastronorm or Euronorm type trays.

Gastronorm tray = 530mm x 325mm
[maximum tray space 560mm x 335mm]

Euronorm tray = 530mm x 370mm
[maximum tray space 560mm x 380mm]

- Dimensions
- Width - 1566mm
- Depth - 715mm
- Height - 1310mm
- Weight - 145kg

- Materials
- 1.2mm 430 Grade St/ Steel Chassis Top & Supports.
- 0.7 & 1.2mm 430 Grade St Steel Ancillary Parts.
- Plastic Coated Steel Front Side and door panels.

- Mobility
- Castors :- 2 Swivel Type With Brakes, 2 Fixed Direction.

ALL SHEET METAL DIMENSIONS ARE I/S (INSIDE SIZES) (UNLESS OTHERWISE STATED) ALL DIMENSIONS IN (mm), TOLERANCE = LINEAR ± 0.5mm, ANGULAR ± 0.5mm (OR AS STATED). ALL SHARP EDGES TO BE REMOVED FROM SHEET METAL PARTS

Product	TROLLEYS			Product No			
Description	MTT24						
Material/Finish	Thickness		Desp/Date				
Legacy P/N	Weight	145kg	Quote No.				
Client				SO Number	*STANDARD*		
Client Project				Approved By			
				Dwg No.	VCP-075861	Issue	
				Drawn By	nraymen		
				Date	03/02/2023		
				Scale	1 : 20	Sheet	1 / 2

No reproduction or publication of this drawing may be made, and no article may be manufactured or assembled in accordance with this drawing without prior written consent. This prohibition is a term of any contract relating to this drawing. Rights reserved under the Copyright Act 1956 as amended by the Design Copyright Act 1968.

