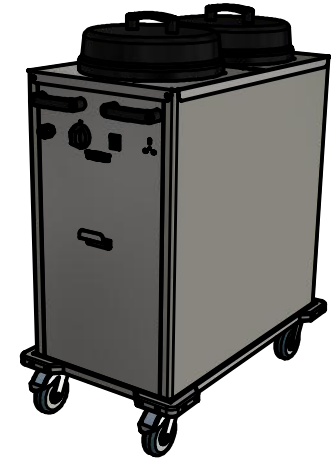
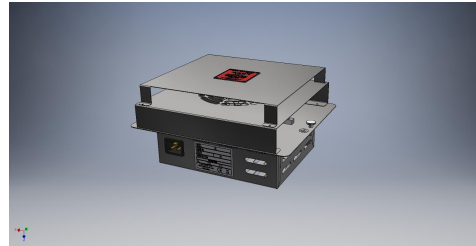


Sahara Fan Model SFPL319



Moffat Specification

Dimensions

Width - 485mm
 Depth - 800mm
 Height - 1015mm
 Weight - 46kg

Plate Dispenser

Pop up self leveling system complete with a lid.
 Fan assisted thermostatically controlled heating system

Capacity:- Holds around 150 plates depending on thickness and shape
 Adjustable plate guides designed to accommodate plates from 230mm to 305mm in diameter.

Power Rating

1.9kw
 complete with a 2m long cord set & 13amp plug
 Removable Fan heating System Sahara Fan Model SFPL319

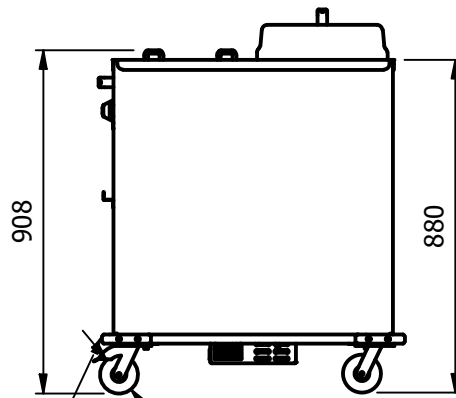
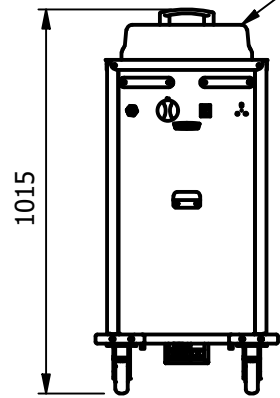
Materials

1.2mm 304 Grade St/ Steel Top & Supports
 0.7mm 430 Grade St/ Steel Internal Structure

Installation

All swivel castors, two braked

Black ABS plastic covers



POWER CABLE ENTRY POINT

Ø100.0

ALL SHEET METAL DIMENSIONS ARE I/S (INSIDE SIZES) (UNLESS OTHERWISE STATED)

ALL DIMENSIONS IN (mm), TOLERANCE = LINEAR ± 0.5mm, ANGULAR ± 0.5mm (OR AS STATED). ALL SHARP EDGES TO BE REMOVED FROM SHEET METAL PARTS

Product	MOBILE PLATE DISPENSER			Product No							
Description	*** HP2 ***			<small>© No reproduction or publication of this drawing may be made, and no article may be manufactured or assembled in accordance with this drawing without prior written consent. This prohibition is a term of any contract relating to this drawing. Rights reserved under the Copyright Act 1956 as amended by the Design Copyright Act 1968.</small>							
Material/Finish	Thickness			Desp/Date							
Legacy P/N	Weight	46kg		Quote No.	Dwg No.	CTRP-087510-1	Issue				
Client				SO Number	STANDARD		Drawn By	N.Raymen			
Client Project				Approved By			Date	10/02/2021			
E & R MOFFAT LTD, SEABEGS ROAD, BONNYBRIDGE, FK4 2BS, T: +44 (0)1324 812272, E: sales@ermoffat.co.uk, Web: www.ermoffat.co.uk							Scale	1 : 20	Sheet	1 / 2	A4

