

Moffat Polar Plates keep food chilled for 2 to 3 hours. Before use, the Polar Plates are charged for 8 to 12 hours in a deep freeze.



Well area complete with three lift out Polar Plates

Moffat Specification

Polar Well

The Stainless steel top inset with a Insulated well with contact cooling Polar plates

With LED illuminated overhead gantry.

Dimensions

Width - 1075mm
 Depth - 549mm
 Height - 475mm (80mm to serving Top)
 Weight - 20kg

Power Rating

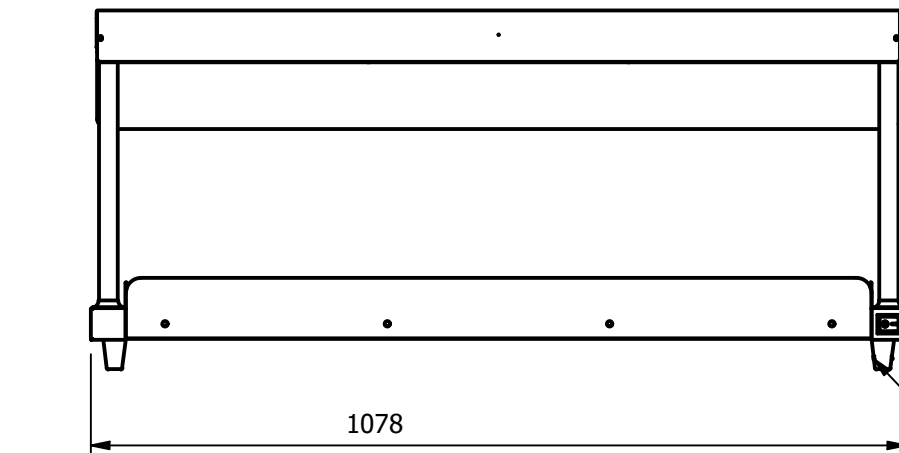
0.015 kw
 complete with a 2m long cord set & 13amp plug

Materials

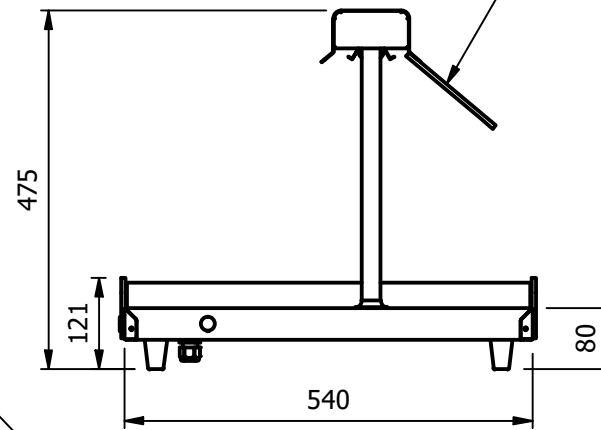
0.7mm 430 Grade St/Steel
 1.2mm 430 Grade St Steel Ancillary Parts
 2off Moffat Eutectic Polar Plates

Installation

Table Top



Perspex Sneeze Guard



Power outlet

ALL SHEET METAL DIMENSIONS ARE I/S (INSIDE SIZES) (UNLESS OTHERWISE STATED)

ALL DIMENSIONS IN (mm), TOLERANCE = LINEAR ± 0.5mm, ANGULAR ± 0.5mm (OR AS STATED). ALL SHARP EDGES TO BE REMOVED FROM SHEET METAL PARTS

Product	FOCUS TOPS			Product No								
Description	FTPG3											
Material/Finish	Thickness				Desp/Date							
Legacy P/N	Weight	20kg			Quote No.							
Client				SO Number	STANDARD		Dwg No.	VCP-099420-1		Issue		
Client Project				Approved By			Drawn By	N.Raymen		-		
							Date	11/06/2021				
E & R MOFFAT LTD, SEABEGS ROAD, BONNYBRIDGE, FK4 2BS, T: +44 (0)1324 812272, E: sales@ermoffat.co.uk, Web: www.ermoffat.co.uk							Scale	1 : 10		Sheet	1 / 2	A4

No reproduction or publication of this drawing may be made, and no article may be manufactured or assembled in accordance with this drawing without prior written consent. This prohibition is a term of any contract relating to this drawing. Rights reserved under the Copyright Act 1956 as amended by the Design Copyright Act 1968.

