

Moffat Polar Plates keep food chilled for 2 to 3 hours. Before use, the Polar Plates are charged for 8 to 12 hours in a deep freeze.

Well area complete with two lift out Polar Plates



**Moffat Specification**

**Polar Well**  
The Stainless steel top inset with a Insulated well with contact cooling Polar plates

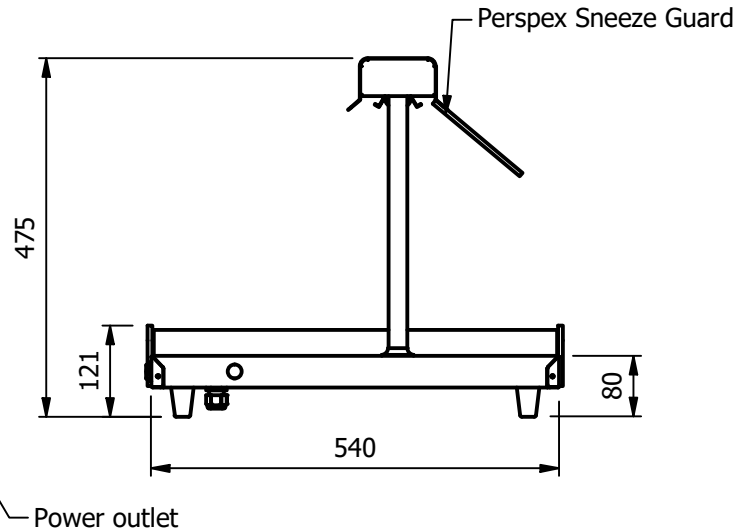
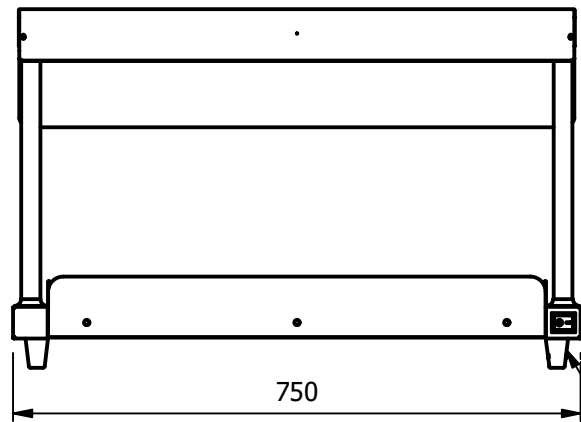
With LED illuminated overhead gantry.

**Dimensions**  
Width - 750mm  
Depth - 549mm  
Height - 475mm (80mm to serving Top)  
Weight - 15kg

**Power Rating**  
0.015 kw  
complete with a 2m long cord set & 13amp plug


**Materials**  
0.7mm 430 Grade St/Steel  
1.2mm 430 Grade St Steel Ancillary Parts  
2off Moffat Eutectic Polar Plates

**Installation**  
Table Top



ALL SHEET METAL DIMENSIONS ARE I/S (INSIDE SIZES) (UNLESS OTHERWISE STATED)

ALL DIMENSIONS IN (mm), TOLERANCE = LINEAR ± 0.5mm, ANGULAR ± 0.5mm (OR AS STATED). ALL SHARP EDGES TO BE REMOVED FROM SHEET METAL PARTS

Product	FOCUS TOPS			Product No				
Description	FTPG2							
Material/Finish	Thickness		Desp/Date					
Legacy P/N	Weight	15kg	Quote No.					
Client			SO Number	STANDARD	Dwg No.	VCP-094760-1	Issue	
Client Project			Approved By		Drawn By	N.Raymen		
E & R MOFFAT LTD, SEABEGS ROAD, BONNYBRIDGE, FK4 2BS, T: +44 (0)1324 812272, E: sales@ermoffat.co.uk, Web: www.ermoffat.co.uk					Date	11/06/2021		
					Scale	1 : 10	Sheet	1 / 2
								<b>A4</b>

No reproduction or publication of this drawing may be made, and no article may be manufactured or assembled in accordance with this drawing without prior written consent. This prohibition is a term of any contract relating to this drawing. Rights reserved under the Copyright Act 1956 as amended by the Design Copyright Act 1968.