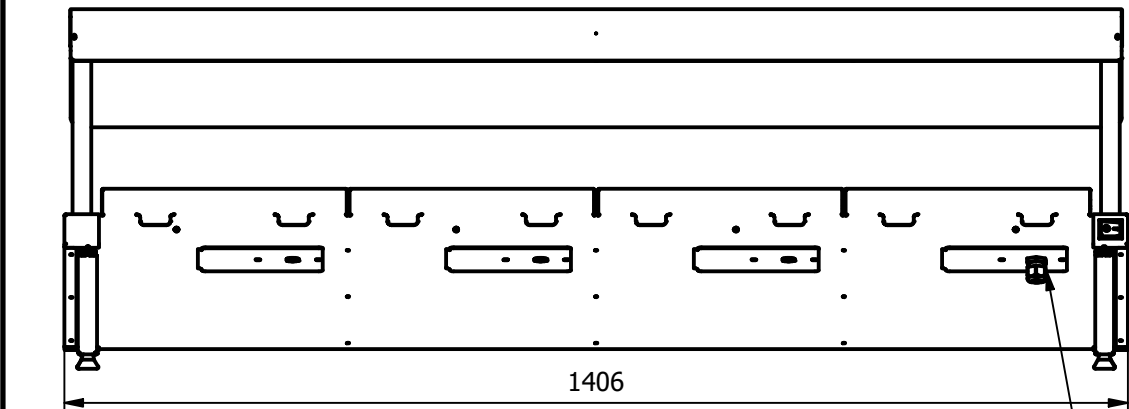
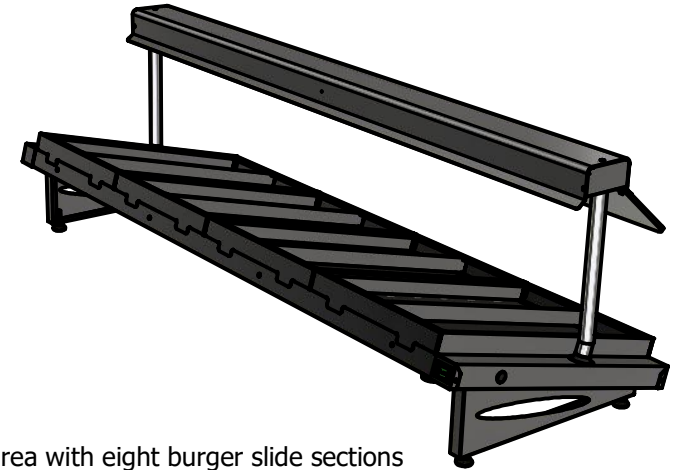
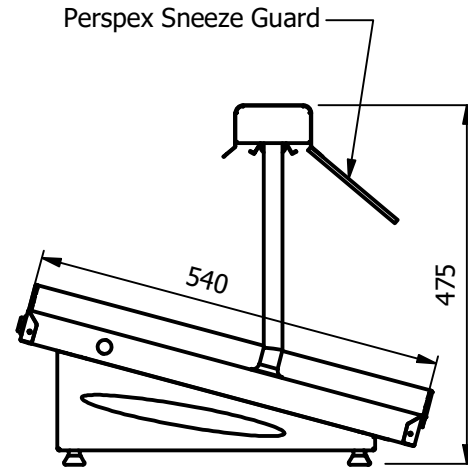


Neo-Ceram Hot Top area with eight burger slide sections



Power outlet



**Moffat Specification**

**Hot Top**  
Neo-Ceram glass hot plate with burger slide adaptor self regulating at approximately 95°C  
With quartz illuminated and heated overhead gantry.


**Dimensions**  
Width - 1406mm  
Depth - 545mm  
Height - 475mm  
Weight - 33kg

**Power Rating**  
1.38kw  
complete with a 2m long cord set & 13amp plug

**Materials**  
0.7mm 430 Grade St/Steel  
1.2mm 430 Grade St Steel Ancillary Parts  
4mm Neo-Ceram Hot Plates

**Installation**  
Table Top

ALL SHEET METAL DIMENSIONS ARE I/S (INSIDE SIZES) (UNLESS OTHERWISE STATED) ALL DIMENSIONS IN (mm), TOLERANCE = LINEAR ± 0.5mm, ANGULAR ± 0.5mm (OR AS STATED). ALL SHARP EDGES TO BE REMOVED FROM SHEET METAL PARTS

Product	FOCUS TOPS			Product No			
Description	FTBC4						
Material/Finish	Thickness			Desp/Date			
Legacy P/N	Weight	33kg		Quote No.			
Client				SO Number	STANDARD		
Client Project				Approved By			
E & R MOFFAT LTD, SEABEGS ROAD, BONNYBRIDGE, FK4 2BS, T: +44 (0)1324 812272, E: sales@ermoffat.co.uk, Web: www.ermoffat.co.uk				Dwg No.	VCP-094097-1		Issue
				Drawn By	N.Raymen		-
				Date	11/06/2021		
				Scale	1 : 10		Sheet 1 / 2 <b>A4</b>

No reproduction or publication of this drawing may be made, and no article may be manufactured or assembled in accordance with this drawing without prior written consent. This prohibition is a term of any contract relating to this drawing. Rights reserved under the Copyright Act 1956 as amended by the Design Copyright Act 1968.