

**Moffat Specification**

Dimensions  
 Length - 700mm  
 Depth - 600mm  
 Height - 900mm  
 Weight - 34kg

Capacity of Hot Cupboard [usable inside space]  
 Width - 637mm  
 Depth - 570mm

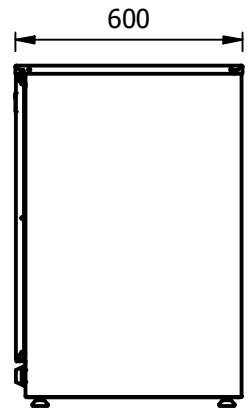
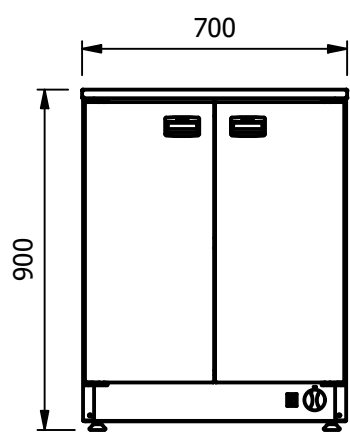
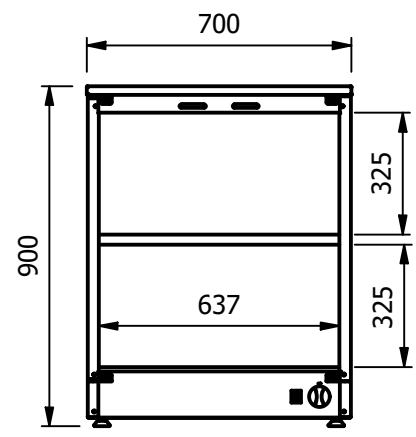
Fitted with a removable mid shelf  
 adjustable in height to three positions set at 180 increments  
 usable height between shelves when fitted in the middle position 325mm

40 covers & meals [10" plated meals stacked using plate covers]  
 or  
 120 off 10" plates stacked for heating  
 or  
 8 off 150mm deep 1/2GN pans stacked

Power Rating  
 1.0kw  
 complete with a 2m long cord set & 13amp plug

Materials  
 1.2mm 304 Grade St/ Steel Top & Supports  
 0.7mm 430 Grade St/ Steel Internal Structure

Installation  
 Adjustable for level feet



ALL SHEET METAL DIMENSIONS ARE I/S (INSIDE SIZES) (UNLESS OTHERWISE STATED) ALL DIMENSIONS IN (mm), TOLERANCE = LINEAR ± 0.5mm, ANGULAR ± 0.5mm (OR AS STATED). ALL SHARP EDGES TO BE REMOVED FROM SHEET METAL PARTS

Product	LIGHT DUTY HOTCUPBOARD			Product No			<small>© No reproduction or publication of this drawing may be made, and no article may be manufactured or assembled in accordance with this drawing without prior written consent. This prohibition is a term of any contract relating to this drawing. Rights reserved under the Copyright Act 1956 as amended by the Design Copyright Act 1968.</small>			
Description	FHC2									
Material/Finish	Thickness		Desp/Date							
Legacy P/N	Weight	34kg	Quote No.			Dwg No.	UMP-090642-1	Issue		
Client			SO Number	STANDARD		Drawn By	N.Raymen	-		
Client Project			Approved By			Date	22/04/2021			
E & R MOFFAT LTD, SEABEGS ROAD, BONNYBRIDGE, FK4 2BS, T: +44 (0)1324 812272, E: sales@ermoffat.co.uk, Web: www.ermoffat.co.uk						Scale	1 : 20	Sheet	1 / 2	A4