

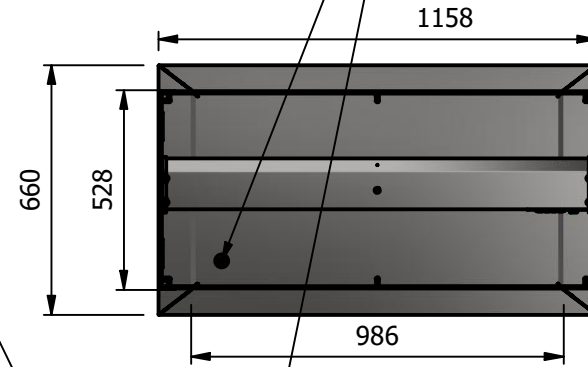
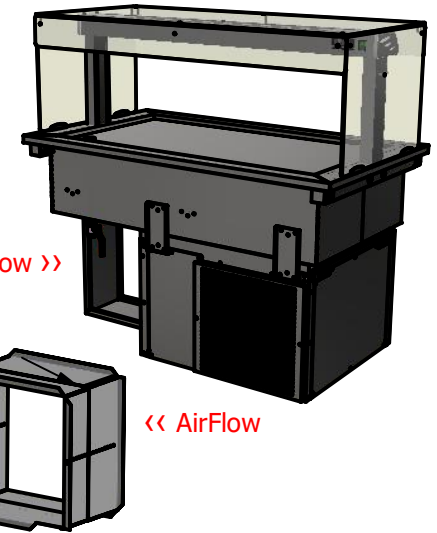
Important Design Parameters

Allowances must be made for air venting.
 The under slung compressor must have an unrestricted air flow.
 Proper venting must be provided ensuring cool air from the room can be drawn in through the condensing coil and out the other side.
 The 'Plenum Duct' supplied should be fitted between the unit & the shop-fitted counter panels.

Warning

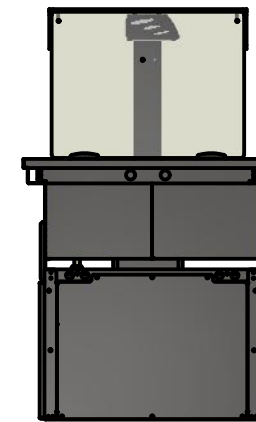
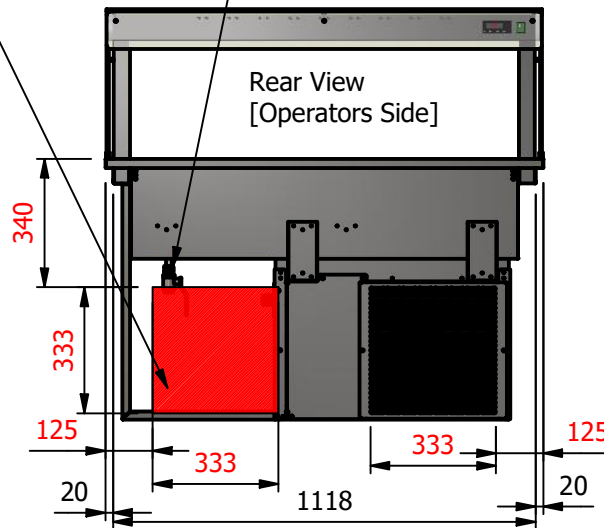
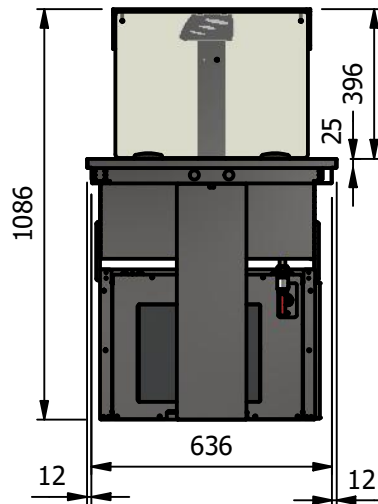
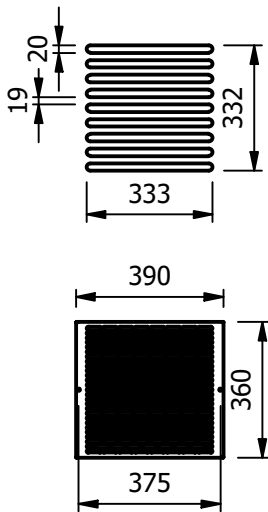
Do not install unit in draughty conditions where the air movement is greater than 0.2mtr/sec.
 e.g. near entrance/exit doors, open windows, under air conditioning units or a ceiling mounted fan
 Do not install units where there is high radiated heat, e.g. direct sunlight, room heaters, or bright spot lights.
 Ambient room conditions must not exceed 25°C or a relative humidity of 60%.
 Blocked vents will cause reduced refrigeration efficiency and lead to malfunction

Drain with valve below.
 Connect into the main drain,
 or place a vessel under
 to catch excess water



Important
 Position of air intake vent
 This area must be clear for air flow

Alternative Vent Panel Routing




Moffat Specification

Dimensions
 Width - 1158mm
 Depth - 660mm
 Height - 1086mm
 Weight - 70kg
 Recess chilled area - 986mm x 528mm
Power Rating
 1.0 kw
 complete with a 2m long cord set & 13amp plug
Materials
 0.7mm 430 Grade St/Steel Gantry Hood
 1.2mm 304 Grade St/ Steel Top & Supports
 1.2mm 430 Grade St Steel Ancillary Parts
 1.2mm Galvanised Steel Inner Supports
 6mm Tempered Glass
 LED Illumination
Installation
 Counter Top Flush Fit Cut Out Dimensions
 1164mm x 666mm x 25mm
 Counter Support Cut Out Dimensions
 1140mm x 642mm

ALL SHEET METAL DIMENSIONS ARE I/S (INSIDE SIZES) (UNLESS OTHERWISE STATED)

ALL DIMENSIONS IN (mm), TOLERANCE = LINEAR ± 0.5mm, ANGULAR ± 0.5mm (OR AS STATED). ALL SHARP EDGES TO BE REMOVED FROM SHEET METAL PARTS

Product	DROP-IN RANGE			Product No					
Description	D3FTSLI								
Material/Finish	Thickness		Desp/Date						
Legacy P/N	Weight	70kg	Quote No.						
Client			SO Number	STANDARD	Dwg No.	DIP-115713-1	Issue		
Client Project			Approved By		Drawn By	ABB			
					Date	26/08/2021			
E & R MOFFAT LTD, SEABEGS ROAD, BONNYBRIDGE, FK4 2BS, T: +44 (0)1324 812272, E: sales@ermoffat.co.uk, Web: www.ermoffat.co.uk					Scale	1 : 20	Sheet	1 / 2	A4

No reproduction or publication of this drawing may be made, and no article may be manufactured or assembled in accordance with this drawing without prior written consent. This prohibition is a term of any contract relating to this drawing. Rights reserved under the Copyright Act 1956 as amended by the Design Copyright Act 1968.