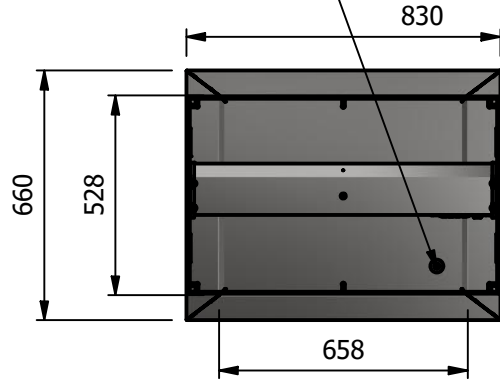


Drain with valve below.  
Connect into the main drain,  
or placed a vessel under  
to catch excess water

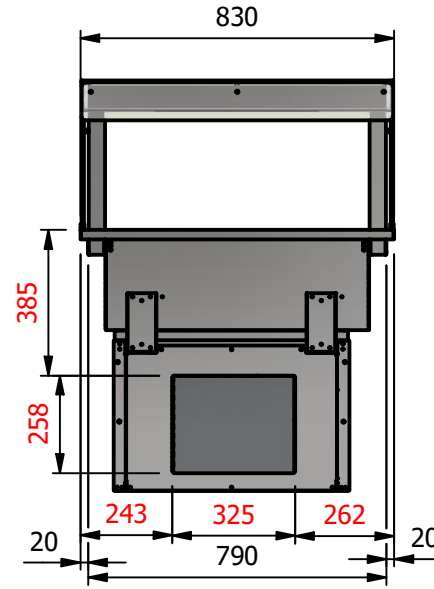
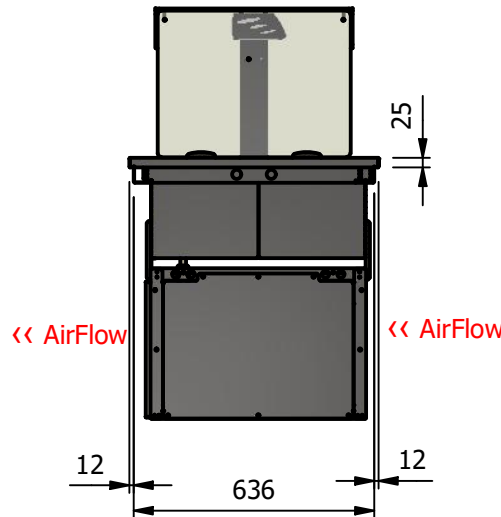
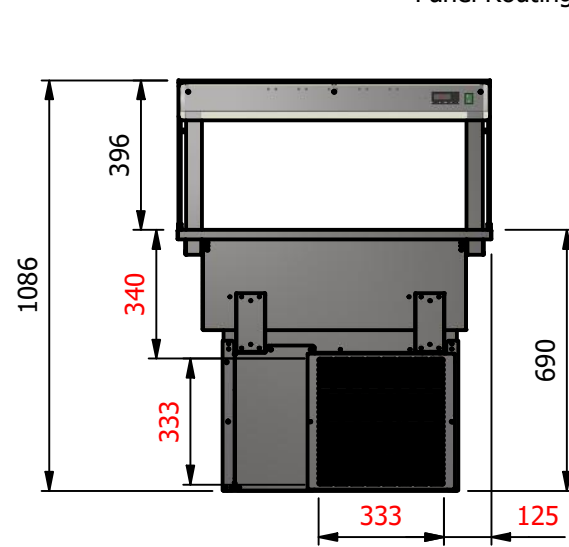
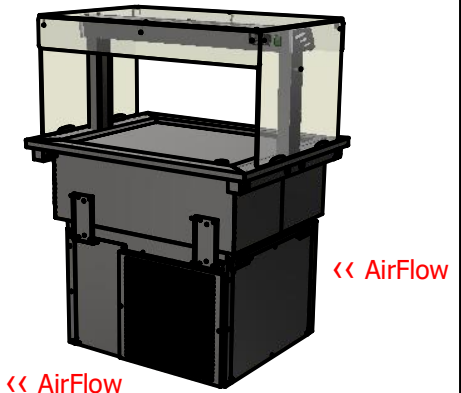
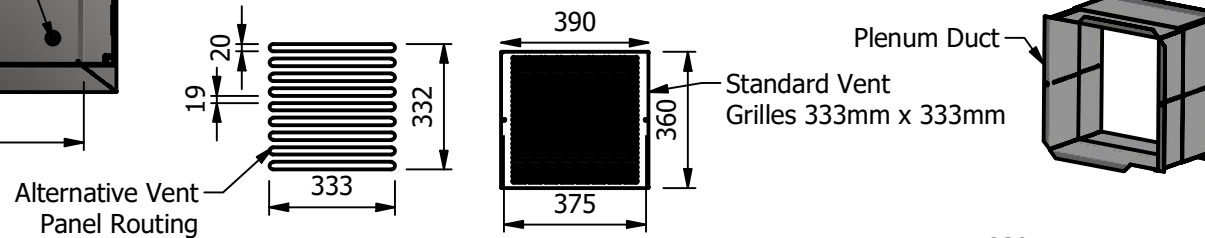


**Important Design Parameters**

Allowances must be made for air venting.  
The under slung compressor must have an unrestricted air flow.  
Proper venting must be provided ensuring cool air from the room can be drawn  
in through the condensing coil and out the other side.  
The 'Plenum Duct' supplied should be fitted between the unit & the shop-fitted counter panels.

**Warning**

Do not install unit in draughty conditions where the air movement is greater than 0.2mtr/sec.  
e.g.near entrance/exit doors, open windows, under air conditioning units or a ceiling mounted fan  
Do not install units where there is high radiated heat, e.g. direct sunlight, room heaters, or bright spot lights.  
Ambient room conditions must not exceed 25°C or a relative humidity of 60%.  
Blocked vents will cause reduced refrigeration efficiency and lead to malfunction




**Moffat Specification**

- Dimensions**  
Width - 830mm  
Depth - 660mm  
Height - 1086mm  
Weight - 60kg  
Recessed chilled area - 658mm x 528mm
- Power Rating**  
1.0 kw  
complete with a 2m long cord set & 13amp plug
- Materials**  
0.7mm 430 Grade St/Steel Gantry Hood  
1.2mm 304 Grade St/ Steel Top & Supports  
1.2mm 430 Grade St Steel Ancillary Parts  
1.2mm Galvanised Steel Inner Supports  
6mm Tempered Glass  
LED Illumination
- Installation**  
Counter Top Flush Fit Cut Out Dimensions  
836mm x 666mm x 25mm  
Counter Support Cut Out Dimensions  
812mm x 642mm

ALL SHEET METAL DIMENSIONS ARE I/S (INSIDE SIZES) (UNLESS OTHERWISE STATED)

ALL DIMENSIONS IN (mm), TOLERANCE = LINEAR ± 0.5mm, ANGULAR ± 0.5mm (OR AS STATED). ALL SHARP EDGES TO BE REMOVED FROM SHEET METAL PARTS

Product	DROP-IN RANGE			Product No		
Description	D2FTSLI					
Material/Finish	Thickness		Desp/Date		<small>No reproduction or publication of this drawing may be made, and no article may be manufactured or assembled in accordance with this drawing without prior written consent. This prohibition is a term of any contract relating to this drawing. Rights reserved under the Copyright Act 1956 as amended by the Design Copyright Act 1968.</small>	
Legacy P/N	Weight	60kg	Quote No.	Dwg No.		DIP-117793-1
Client			SO Number	STANDARD	Drawn By	ABB
Client Project			Approved By		Date	26/08/2021
E & R MOFFAT LTD, SEABEGS ROAD, BONNYBRIDGE, FK4 2BS, T: +44 (0)1324 812272, E: sales@ermoffat.co.uk, Web: www.ermoffat.co.uk					Scale	1 : 20
					Sheet	1 / 2
						<b>A4</b>