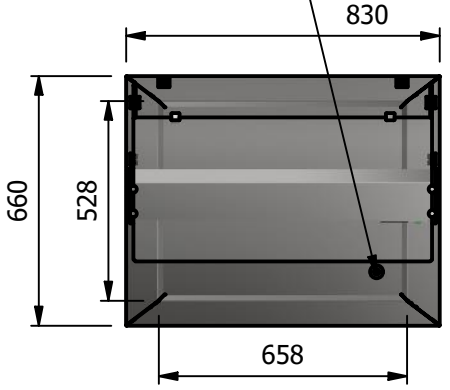


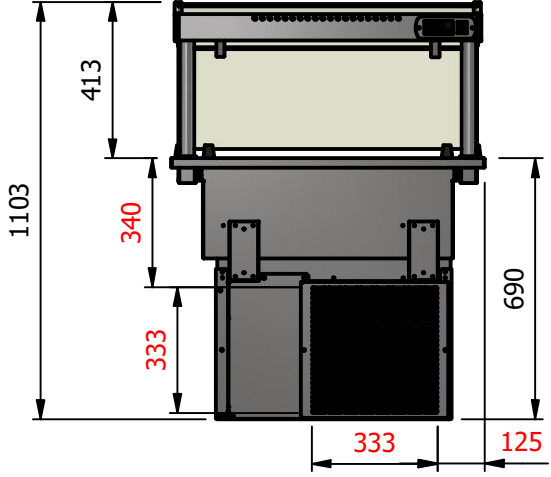
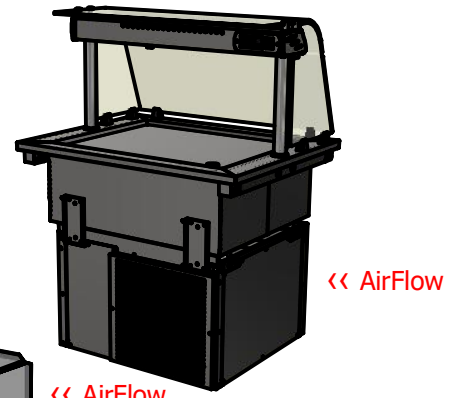
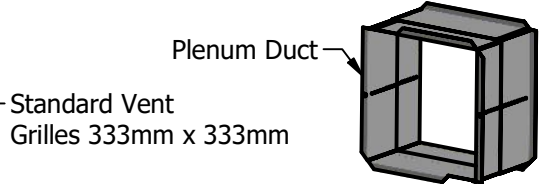
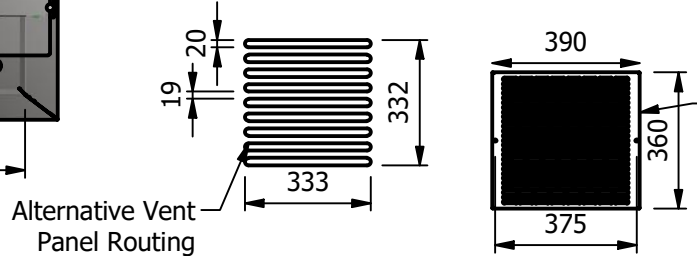
Drain with valve below.
Connect into the main drain,
or placed a vessel under
to catch excess water

← AirFlow

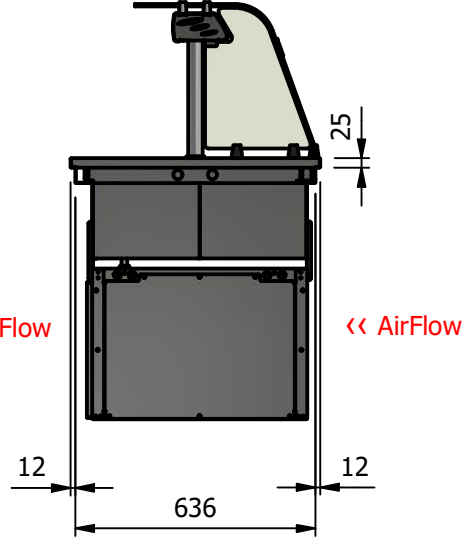


Important Design Parameters
Allowances must be made for air venting.
The under slung compressor must have an unrestricted air flow.
Proper venting must be provided ensuring cool air from the room can be drawn in through the condensing coil and out the other side.
The 'Plenum Duct' supplied should be fitted between the unit & the shop-fitted counter panels.

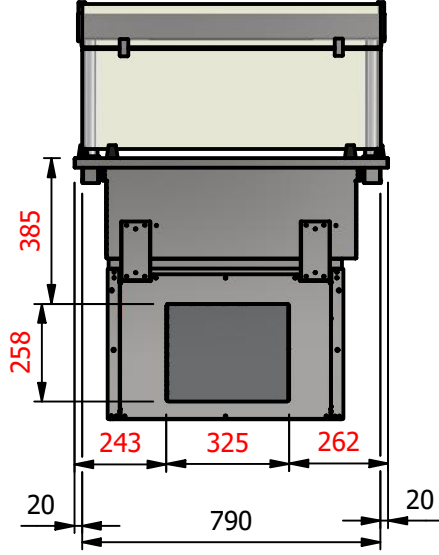
Warning
Do not install unit in draughty conditions where the air movement is greater than 0.2mtr/sec.
e.g.near entrance/exit doors, open windows, under air conditioning units or a ceiling mounted fan
Do not install units where there is high radiated heat, e.g. direct sunlight, room heaters, or bright spot lights.
Ambient room conditions must not exceed 25°C or a relative humidity of 60%.
Blocked vents will cause reduced refrigeration efficiency and lead to malfunction



← AirFlow



← AirFlow



Moffat Specification
Dimensions
Width - 830mm
Depth - 660mm
Height - 1103mm
Weight - 70kg
Recessed chilled area - 658mm x 528mm
Power Rating
1.0 kw
complete with a 2m long cord set & 13amp plug
Materials
0.7mm 430 Grade St/Steel Gantry Hood
1.2mm 304 Grade St/ Steel Top & Supports
1.2mm 430 Grade St Steel Ancillary Parts
1.2mm Galvanised Steel Inner Supports
6mm Tempered Glass
LED Illumination
Installation
Counter Top Flush Fit Cut Out Dimensions
836mm x 666mm x 25mm
Counter Support Cut Out Dimensions
812mm x 642mm

ALL SHEET METAL DIMENSIONS ARE I/S (INSIDE SIZES) (UNLESS OTHERWISE STATED) ALL DIMENSIONS IN (mm), TOLERANCE = LINEAR ± 0.5mm, ANGULAR ± 0.5mm (OR AS STATED). ALL SHARP EDGES TO BE REMOVED FROM SHEET METAL PARTS

Product	DROP-IN RANGE			Product No					
Description	D2FTF								
Material/Finish	Thickness		Desp/Date						
Legacy P/N	Weight	70kg	Quote No.						
Client			SO Number	STANDARD	Dwg No.	DIP-101717-1	Issue		
Client Project			Approved By		Drawn By	N.Raymen			
					Date	26/08/2021			
E & R MOFFAT LTD, SEABEGS ROAD, BONNYBRIDGE, FK4 2BS, T: +44 (0)1324 812272, E: sales@ermoffat.co.uk, Web: www.ermoffat.co.uk					Scale	1 : 20	Sheet	1 / 2	A4