

Moffat Specification

Flat belt type conveyor.
Sensor limit switch at the end of the conveyor
Emergency-stop button at each end.
Speed adjustable from 0 to 12 metres/minute
Maintenance-free drum motor

Dimensions

Length - 5000mm
Depth - 550mm
Height - 900mm
Weight - 80kg

Power Supply

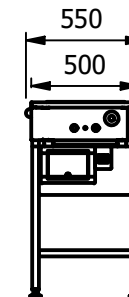
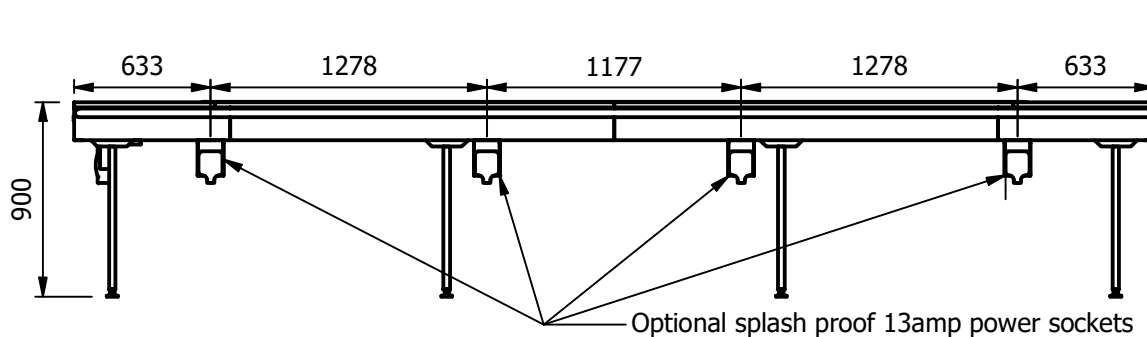
When supplied as a motorized belt only the power requirements is 13amp 1PH. Optional splash proof 13amp sockets for auxiliary equipment can be fitted, each optional 13 amp socket is protected by a 13amp R.C.B.O. fitted in a splash proof M.C.B. board. Power supply requirement is made bespoke for each site and depending on how many sockets are fitted.

Materials

1.2mm 304 Grade St/ Steel Chassis Top & Supports.
0.7mm 430 Grade St Steel Ancillary Parts.

Installation

Floor fixing adjustable for height feet.



ALL SHEET METAL DIMENSIONS ARE I/S (INSIDE SIZES) (UNLESS OTHERWISE STATED)

ALL DIMENSIONS IN (mm), TOLERANCE = LINEAR ± 0.5mm, ANGULAR ± 0.5mm (OR AS STATED). ALL SHARP EDGES TO BE REMOVED FROM SHEET METAL PARTS

| | | | | | | | |
|---|-----------------------------------|------|--|-------------|--------------|----|-------------|
| Product | CONVEYOR | | | Product No | | | |
| Description | CVB5S *** 5 METRE STATIC BELT *** | | | | | | |
| Material/Finish | Thickness | | | Desp/Date | | | |
| Legacy P/N | Weight | 80kg | | Quote No. | | | |
| Client | | | | SO Number | STANDARD | | |
| Client Project | | | | Approved By | | | |
| | | | | Dwg No. | VCP-087906-1 | | Issue |
| | | | | Drawn By | N.Raymen | | - |
| | | | | Date | 16/02/2021 | | |
| E & R MOFFAT LTD, SEABEGS ROAD, BONNYBRIDGE, FK4 2BS, T: +44 (0)1324 812272, E: sales@ermoffat.co.uk, Web: www.ermoffat.co.uk | | | | Scale | 1 : 35 | | Sheet 1 / 2 |
| | | | | | | A4 | |

No reproduction or publication of this drawing may be made, and no article may be manufactured or assembled in accordance with this drawing without prior written consent. This prohibition is a term of any contract relating to this drawing. Rights reserved under the Copyright Act 1956 as amended by the Design Copyright Act 1968.

