

Moffat Specification

Flat belt type conveyor.
Sensor limit switch at the end of the conveyor
Emergency-stop button at each end.
Speed adjustable from 0 to 12 metres/minute
Maintenance-free drum motor

Dimensions

Length - 3000mm
Depth - 550mm
Height - 900mm
Weight - 70kg

Power Supply

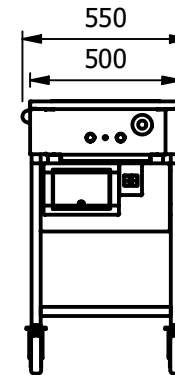
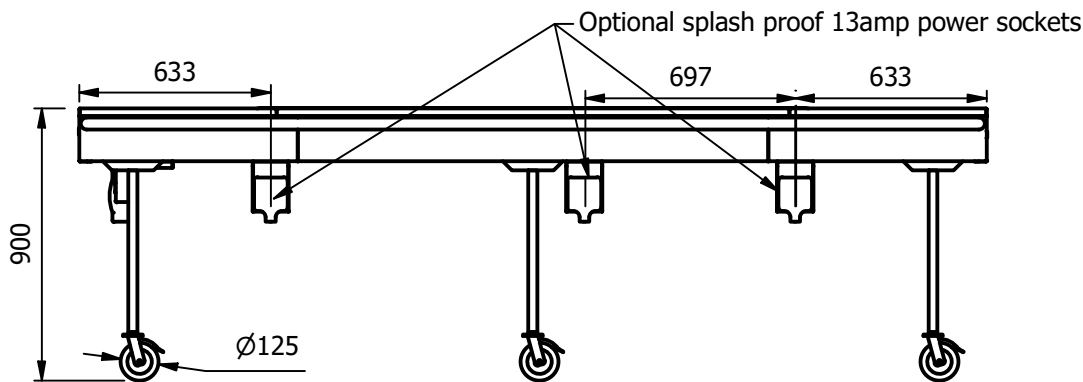
When supplied as a motorized belt only the power requirements is 13amp 1PH. Optional splash proof 13amp sockets for auxiliary equipment can be fitted, each optional 13 amp socket is protected by a 13amp R.C.B.O. fitted in a splash proof M.C.B. board. Power supply requirement is made bespoke for each site and depending on how many sockets are fitted.

Materials

1.2mm 304 Grade St/ Steel Chassis Top & Supports.
0.7mm 430 Grade St Steel Ancillary Parts.

Installation

Castors :- Swivel Type With Brakes.



ALL SHEET METAL DIMENSIONS ARE I/S (INSIDE SIZES) (UNLESS OTHERWISE STATED)

ALL DIMENSIONS IN (mm), TOLERANCE = LINEAR ± 0.5mm, ANGULAR ± 0.5mm (OR AS STATED). ALL SHARP EDGES TO BE REMOVED FROM SHEET METAL PARTS

Product	CONVEYOR			Product No		 The Catering Equipment Company	<small>No reproduction or publication of this drawing may be made, and no article may be manufactured or assembled in accordance with this drawing without prior written consent. This prohibition is a term of any contract relating to this drawing. Rights reserved under the Copyright Act 1956 as amended by the Design Copyright Act 1968.</small>			
Description	CVB3M *** 3 METRE MOBILE BELT ***									
Material/Finish	Thickness			Desp/Date						
Legacy P/N	Weight	70kg		Quote No.		Dwg No.	VCP-087692-1	Issue		
Client				SO Number	STANDARD	Drawn By	N.Raymen			
Client Project				Approved By		Date	16/02/2021			
E & R MOFFAT LTD, SEABEGS ROAD, BONNYBRIDGE, FK4 2BS, T: +44 (0)1324 812272, E: sales@ermoffat.co.uk, Web: www.ermoffat.co.uk						Scale	1 : 25	Sheet	1 / 2	A4