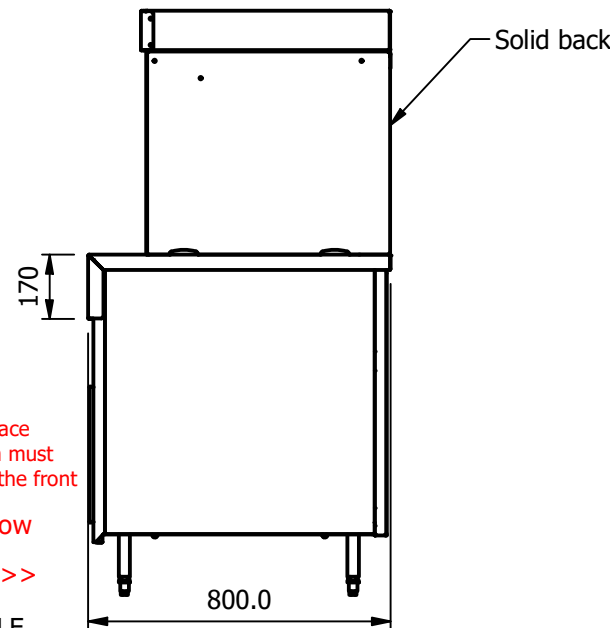
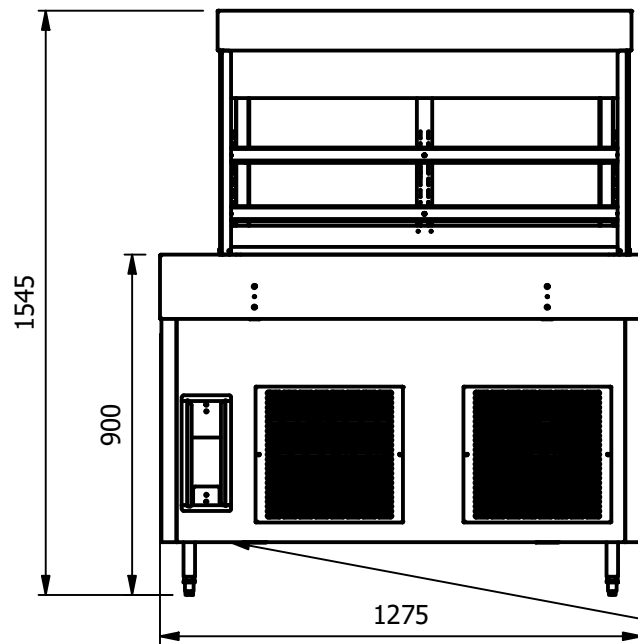
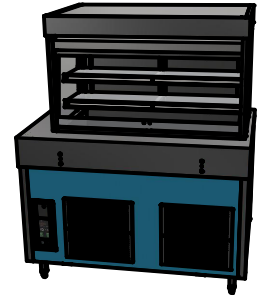


Important Design Parameters

Allowances must be made for air venting.  
 The under slung compressor must have an unrestricted air flow.  
 Proper venting must be provided ensuring cool air from the room can be drawn in through the condensing coil and out the other side.

Warning

Do not install unit in draughty conditions where the air movement is greater than 0.2mtr/sec.  
 e.g. near entrance/exit doors, open windows, under air conditioning units or a ceiling mounted fan  
 Do not install units where there is high radiated heat, e.g. direct sunlight, room heaters, or bright spot lights.  
 Ambient room conditions must not exceed 25°C or a relative humidity of 60%.  
 Blocked vents will cause reduced refrigeration efficiency and lead to malfunction



**Warning**  
 A clear space  
 of 600mm must  
 be left at the front

<<AirFlow  
 AirFlow>>

POWER CABLE  
 ENTRY POINT

Moffat Specification

Chilled display with forced air refrigeration and self evaporation condensate system.

Dimensions

Width - 1275mm  
 Depth - 800mm  
 Height - 1545mm (900mm to work top)  
 Weight - 190kg

Well - 983mm x 495mm x 130mm

Shelves - 1052mm x 285mm

Power Rating

1.7kw  
 complete with a 2m long cord set & 13amp plug

Materials

0.7mm 430 Grade St/Steel Gantry Hood  
 1.2mm 304 Grade St/ Steel Top & Supports  
 1.2mm 430 Grade St Steel Ancillary Parts

Gantry options  
 have LED Illumination and 6mm Tempered Glass

ALL SHEET METAL DIMENSIONS ARE I/S (INSIDE SIZES) (UNLESS OTHERWISE STATED)

ALL DIMENSIONS IN (mm), TOLERANCE = LINEAR ± 0.5mm, ANGULAR ± 0.5mm (OR AS STATED). ALL SHARP EDGES TO BE REMOVED FROM SHEET METAL PARTS

|                                                                                                                               |             |       |  |             |         |  |               |        |            |       |       |    |
|-------------------------------------------------------------------------------------------------------------------------------|-------------|-------|--|-------------|---------|--|---------------|--------|------------|-------|-------|----|
| Product                                                                                                                       | COUNTERS    |       |  | Product No  |         |  |               |        |            |       |       |    |
| Description                                                                                                                   | CRD3LFCSA-8 |       |  |             |         |  |               |        |            |       |       |    |
| Material/Finish                                                                                                               | Thickness   |       |  | Desp/Date   |         |  |               |        |            |       |       |    |
| Legacy P/N                                                                                                                    | Weight      | 190kg |  | Quote No.   | Dwg No. |  | CTRP-124461-1 |        | Issue      |       |       |    |
| Client                                                                                                                        |             |       |  | SO Number   | N/A     |  | Drawn By      |        | ABB        |       |       |    |
| Client Project                                                                                                                |             |       |  | Approved By |         |  | Date          |        | 28/06/2021 |       |       |    |
| E & R MOFFAT LTD, SEABEGS ROAD, BONNYBRIDGE, FK4 2BS, T: +44 (0)1324 812272, E: sales@ermoffat.co.uk, Web: www.ermoffat.co.uk |             |       |  |             |         |  | Scale         | 1 : 20 |            | Sheet | 1 / 2 | A4 |

No reproduction or publication of this drawing may be made, and no article may be manufactured or assembled in accordance with this drawing without prior written consent. This prohibition is a term of any contract relating to this drawing. Rights reserved under the Copyright Act 1956 as amended by the Design Copyright Act 1968.

