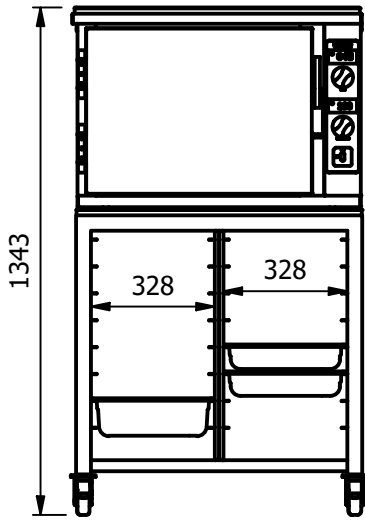
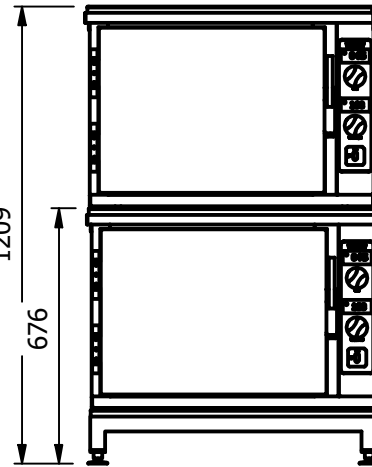


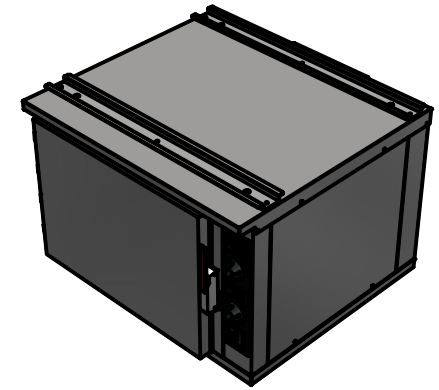
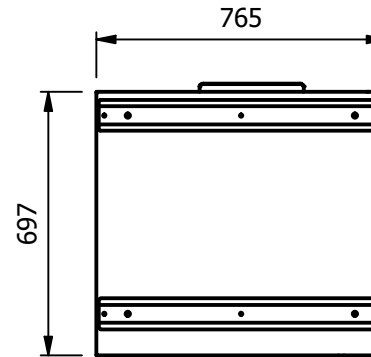
Three CR5L ovens on Low stand (CRLLS)



CR5L oven with mobile High stand (CRLHS)



Two CR5L ovens on Low stand (CRLLS)



Moffat Specification

Dimensions
 Width - 765mm
 Depth - 697mm
 Height - 549mm
 Weight - 40kg

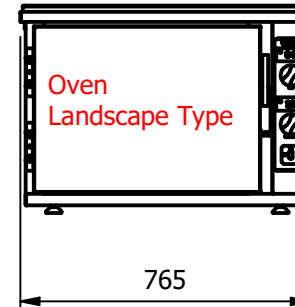
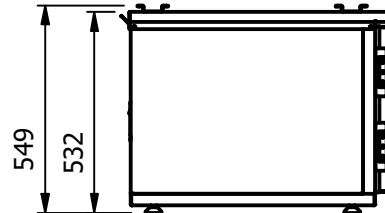
Power Rating options
 3.0kw [13amp 1PH]
 complete with a 2m long cord set & 13amp plug.

Materials
 1.2mm 304 & 430 Grade St/ Steel Top & Supports.
 0.7 & 1.2mm 430 Grade St Steel Ancillary Parts.

Fully Insulated Compartment.


Control
 Digital cook time and temperature

Oven
 Capacity 77 liters
 5off Gn1/1 Grid shelf positions @ 71mm pitch



ALL SHEET METAL DIMENSIONS ARE I/S (INSIDE SIZES) (UNLESS OTHERWISE STATED)

ALL DIMENSIONS IN (mm), TOLERANCE = LINEAR ± 0.5mm, ANGULAR ± 0.5mm (OR AS STATED). ALL SHARP EDGES TO BE REMOVED FROM SHEET METAL PARTS

Product	REGEN OVENS			Product No				
Description	CR5L							
Material/Finish	Thickness		Desp/Date					
Legacy P/N	Weight	40kg	Quote No.					
Client			SO Number	N/A	Dwg No.	091756-1	Issue	
Client Project			Approved By		Drawn By	ABB		
					Date	02/04/2021		
E & R MOFFAT LTD, SEABEGS ROAD, BONNYBRIDGE, FK4 2BS, T: +44 (0)1324 812272, E: sales@ermoffat.co.uk, Web: www.ermoffat.co.uk					Scale	1 : 20	Sheet	1 / 2
								A4

No reproduction or publication of this drawing may be made, and no article may be manufactured or assembled in accordance with this drawing without prior written consent. This prohibition is a term of any contract relating to this drawing. Rights reserved under the Copyright Act 1956 as amended by the Design Copyright Act 1968.