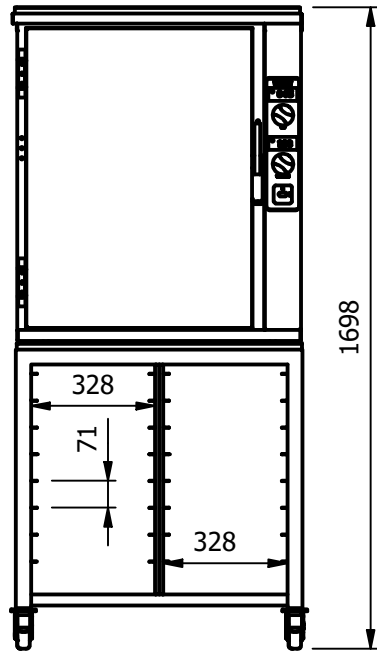
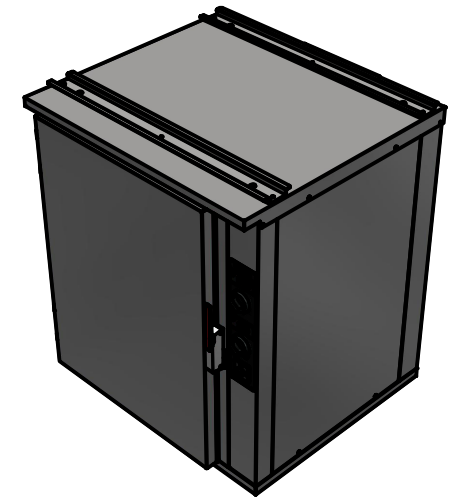
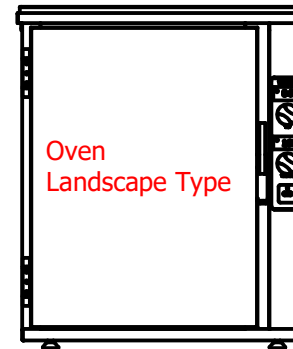
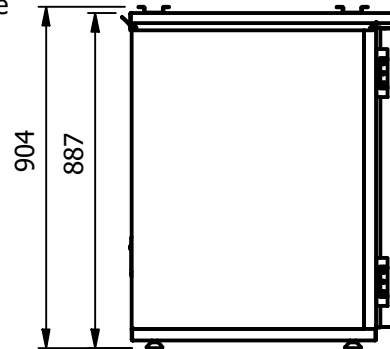
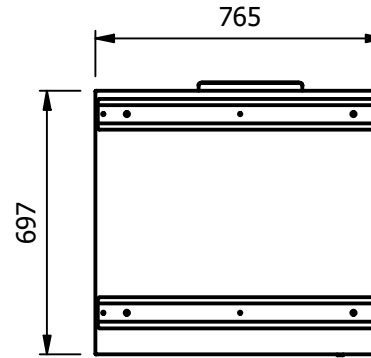


2 CR10L ovens with Low stand (CRLLS)



CR10L oven with mobile High stand (CRLHS)



Moffat Specification

Dimensions

Width - 765mm
Depth - 697mm
Height - 904mm
Weight - 125kg

Power Rating options

CR10L13: 4.5kw [2 x 13amp 1PH]
CR10L16: 5.7 kw [16amp 3PH]
CR10L32: 5.7kw [32amp 1PH]

Materials

1.2mm 304 & 430 Grade St/ Steel Top & Supports.
0.7 & 1.2mm 430 Grade St Steel Ancillary Parts.

Fully Insulated Compartment.

Control


Digital cook time and temperature

Oven

Capacity 147lites
10off Gn1/1 Grid shelf positions @ 71mm pitch

ALL SHEET METAL DIMENSIONS ARE I/S (INSIDE SIZES) (UNLESS OTHERWISE STATED)

ALL DIMENSIONS IN (mm), TOLERANCE = LINEAR ± 0.5mm, ANGULAR ± 0.5mm (OR AS STATED). ALL SHARP EDGES TO BE REMOVED FROM SHEET METAL PARTS

Product	REGEN OVENS		Product No						
Description	CR10L								
Material/Finish	Thickness		Desp/Date	<small>No reproduction or publication of this drawing may be made, and no article may be manufactured or assembled in accordance with this drawing without prior written consent. This prohibition is a term of any contract relating to this drawing. Rights reserved under the Copyright Act 1956 as amended by the Design Copyright Act 1968.</small>					
Legacy P/N	Weight	125kg	Quote No.						
Client			SO Number	N/A	Dwg No.	093389-1	Issue		
Client Project			Approved By		Drawn By	ABB	-		
					Date	02/04/2021			
E & R MOFFAT LTD, SEABEGS ROAD, BONNYBRIDGE, FK4 2BS, T: +44 (0)1324 812272, E: sales@ermoffat.co.uk, Web: www.ermoffat.co.uk					Scale	1 : 20	Sheet	1 / 2	A4