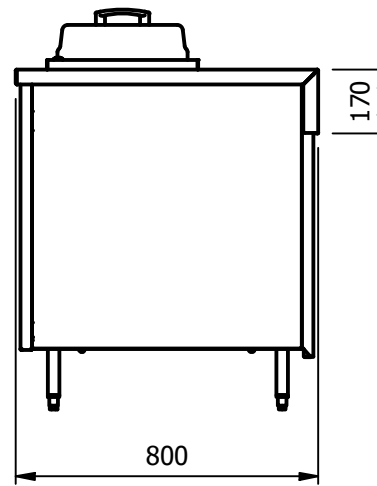
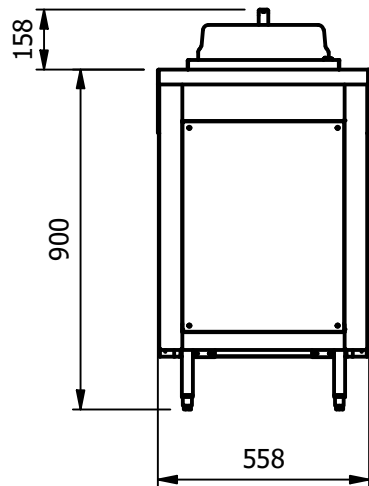
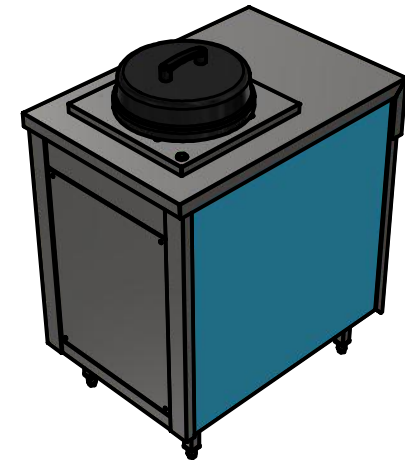


Pop up plate dispenser with Black ABS plastic cover



**Moffat Specification**

Plate dispenser  
Single tube pop up plate dispenser has four adjustable guide rods to enable it to take various size of plates from 8" to 12" (205mm- 305mm) in diameter

Capacity  
65 plates depending on type and thickness

Dimensions  
Width - 558mm  
Depth - 800mm  
Height - 1058mm (900 to work top)  
Weight - 55kg

Power Rating  
0.6 kw  
complete with a 2m long cord set & 13amp plug

Materials  
1.2mm 304 Grade St/ Steel Top & Supports  
0.7mm 430 Grade St/ Steel Internal Structure

ALL SHEET METAL DIMENSIONS ARE I/S (INSIDE SIZES) (UNLESS OTHERWISE STATED)

ALL DIMENSIONS IN (mm), TOLERANCE = LINEAR ± 0.5mm, ANGULAR ± 0.5mm (OR AS STATED). ALL SHARP EDGES TO BE REMOVED FROM SHEET METAL PARTS

Product	COUNTERS			Product No							
Description	CPDH1-8										
Material/Finish	Thickness			Desp/Date							
Legacy P/N	Weight	55kg		Quote No.							
Client				SO Number	N/A		Drawn By	ABB			
Client Project				Approved By			Date	28/06/2021			
E & R MOFFAT LTD, SEABEGS ROAD, BONNYBRIDGE, FK4 2BS, T: +44 (0)1324 812272, E: sales@ermoffat.co.uk, Web: www.ermoffat.co.uk							Scale	1 : 20	Sheet	1 / 2	A4

No reproduction or publication of this drawing may be made, and no article may be manufactured or assembled in accordance with this drawing without prior written consent. This prohibition is a term of any contract relating to this drawing. Rights reserved under the Copyright Act 1956 as amended by the Design Copyright Act 1968.

