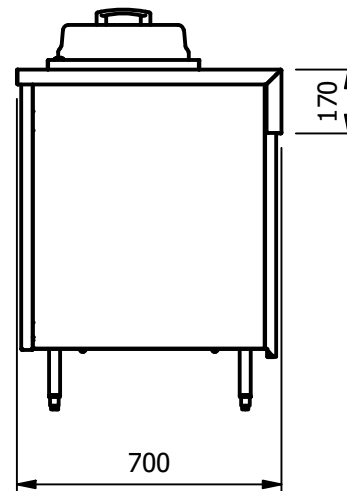
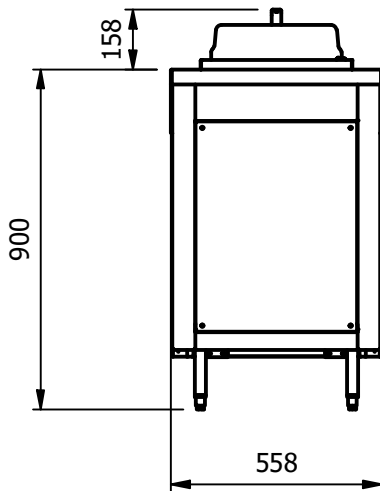
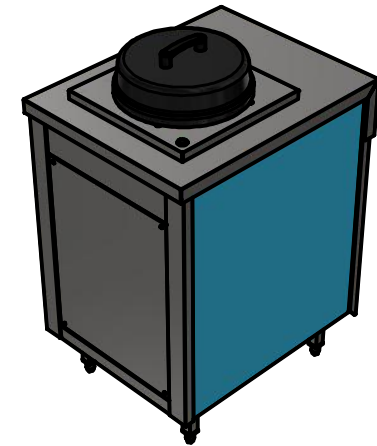


Pop up plate dispenser
with Black ABS plastic cover



Moffat Specification

Plate dispenser
Single tube pop up plate dispenser
has four adjustable guide rods to enable
it to take various size of plates
from 8" to 12" (205mm- 305mm) in diameter

Capacity
65 plates depending on type and thickness

Dimensions
Width - 558mm
Depth - 700mm
Height - 1058mm (900 to work top)
Weight - 50kg

Power Rating
0.6 kw
complete with a 2m long cord set & 13amp plug

Materials
1.2mm 304 Grade St/ Steel Top & Supports
0.7mm 430 Grade St/ Steel Internal Structure

ALL SHEET METAL DIMENSIONS ARE I/S (INSIDE SIZES) (UNLESS OTHERWISE STATED)

ALL DIMENSIONS IN (mm), TOLERANCE = LINEAR ± 0.5mm, ANGULAR ± 0.5mm (OR AS STATED). ALL SHARP EDGES TO BE REMOVED FROM SHEET METAL PARTS

Product	COUNTERS			Product No							
Description	CPDH1-7										
Material/Finish	Thickness			Desp/Date							
Legacy P/N	Weight	50kg		Quote No.							
Client				SO Number	N/A		Drawn By	ABB			
Client Project				Approved By			Date	28/06/2021			
E & R MOFFAT LTD, SEABEGS ROAD, BONNYBRIDGE, FK4 2BS, T: +44 (0)1324 812272, E: sales@ermoffat.co.uk, Web: www.ermoffat.co.uk							Scale	1 : 20	Sheet	1 / 2	A4

No reproduction or publication of this drawing may be made, and no article may be manufactured or assembled in accordance with this drawing without prior written consent. This prohibition is a term of any contract relating to this drawing. Rights reserved under the Copyright Act 1956 as amended by the Design Copyright Act 1968.

